

OREC

ISSUED NO. RM980F EUO-1

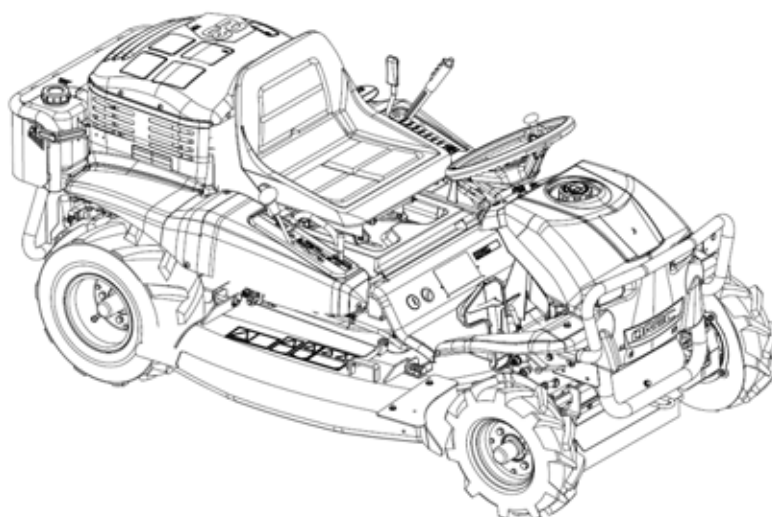
Parts catalogue

Rabbit Mower

(EXPORT MODEL)

RM980F

MODEL	CODE
RM980F	0227-



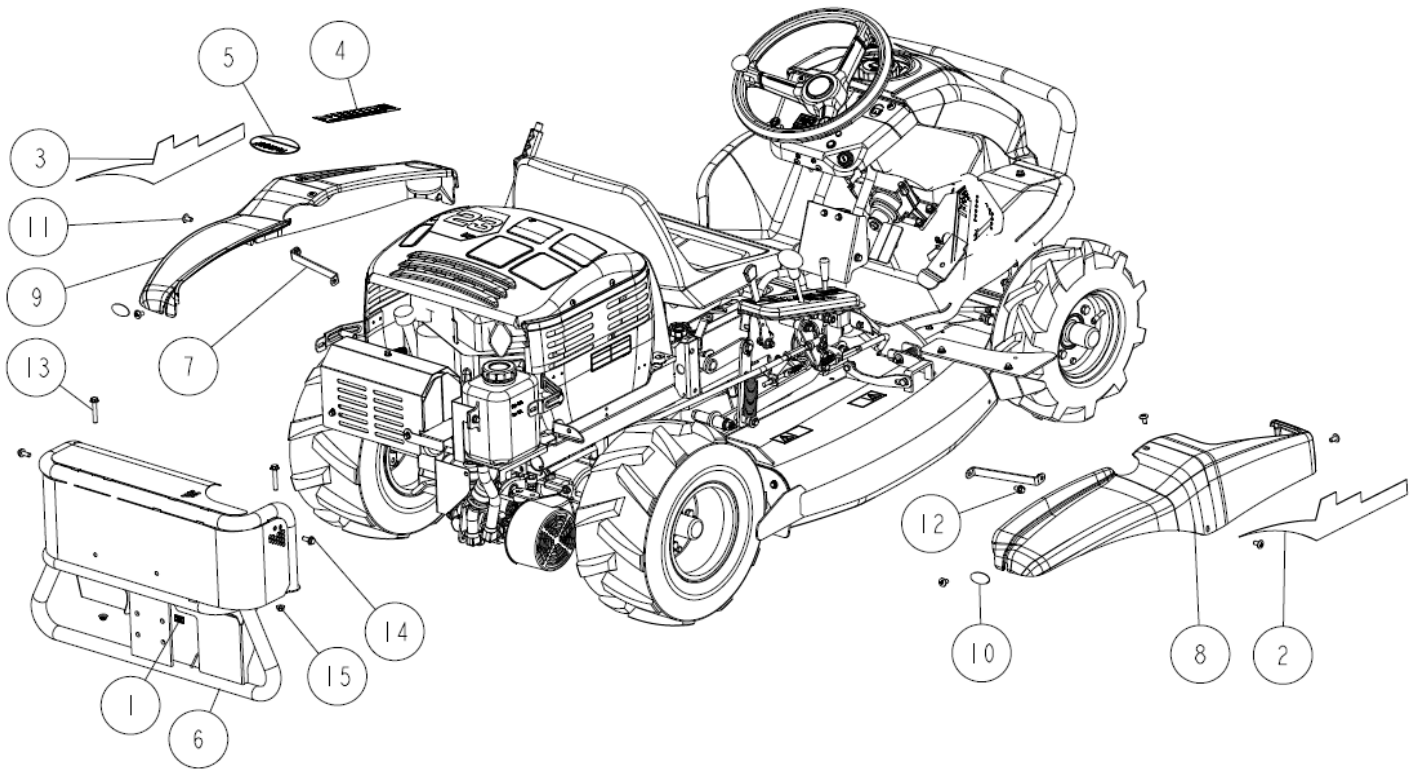
CONTENTS	
FRAME	1-14
TRANSMISSION	15-23
HST	24-25
STEERING	26-28
FRONT	29-33
CONTROL	34-38
CUTTING	39-45
SEAT	46-48
ENGINE	49-53

OREC CO.,LTD

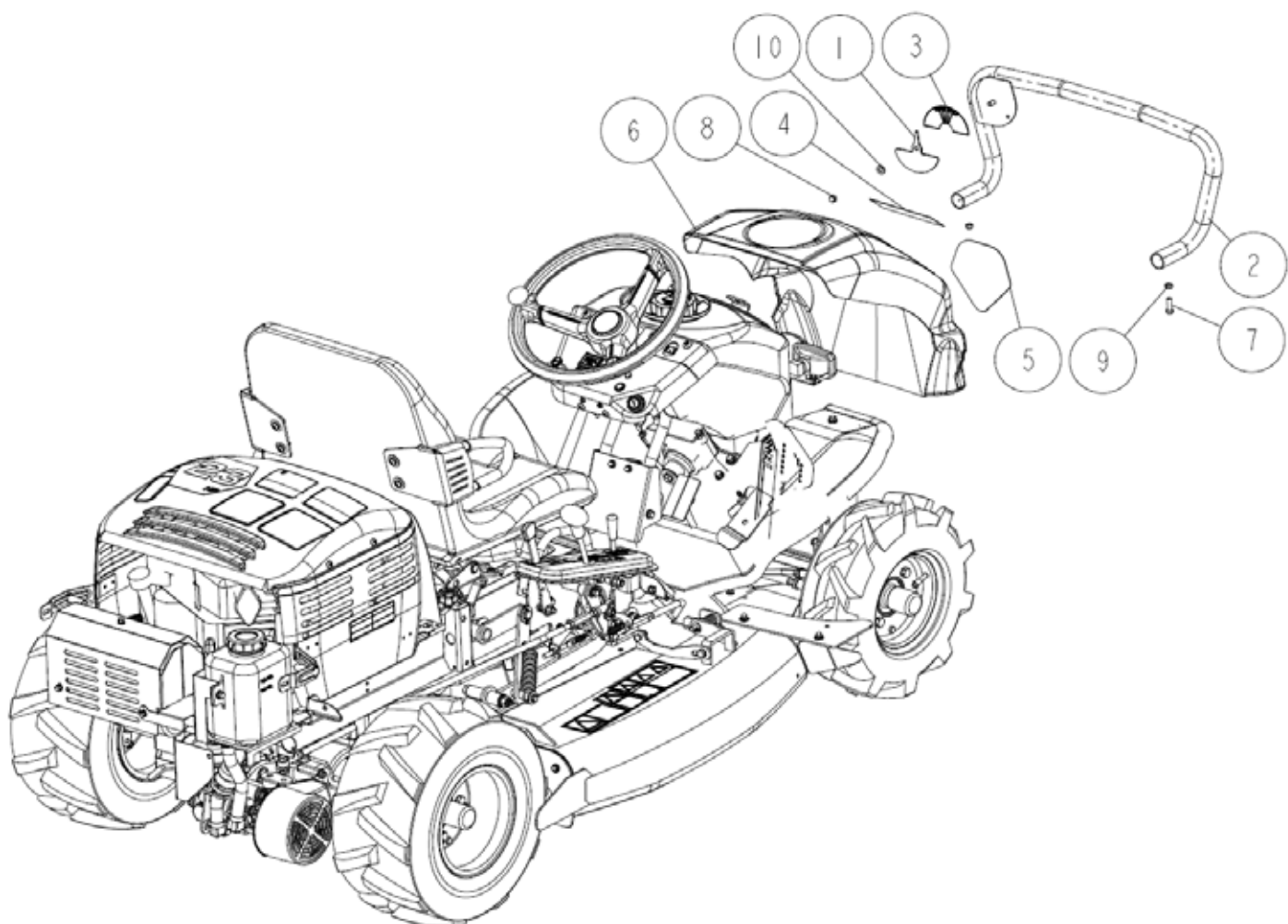
Update : February 2012

MEMO

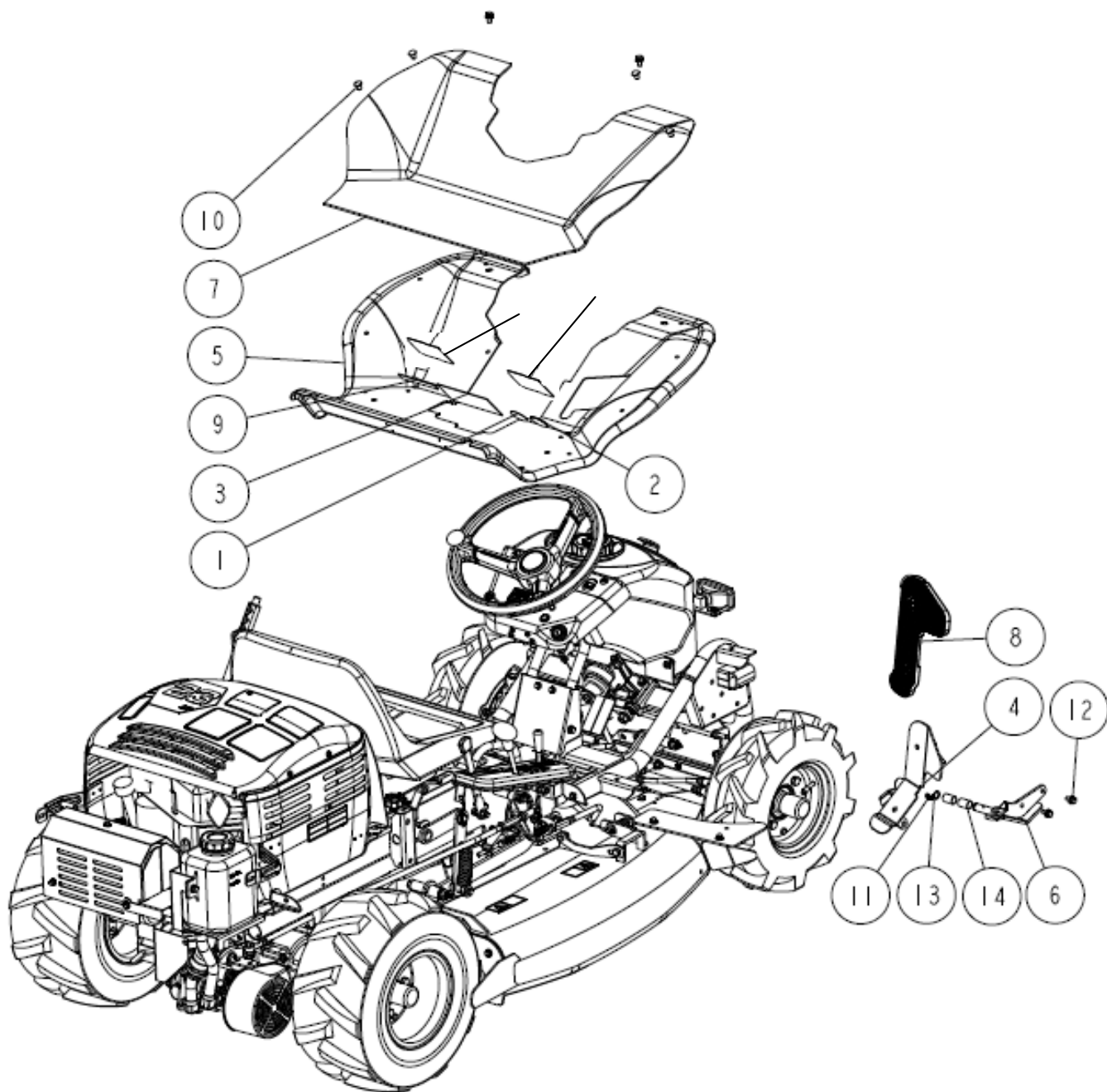
- *1) Interchangeable
- *2) Serial Number :RM980F : ~JW11L00236
- *3) Serial Number : RM980F : JW11M255~



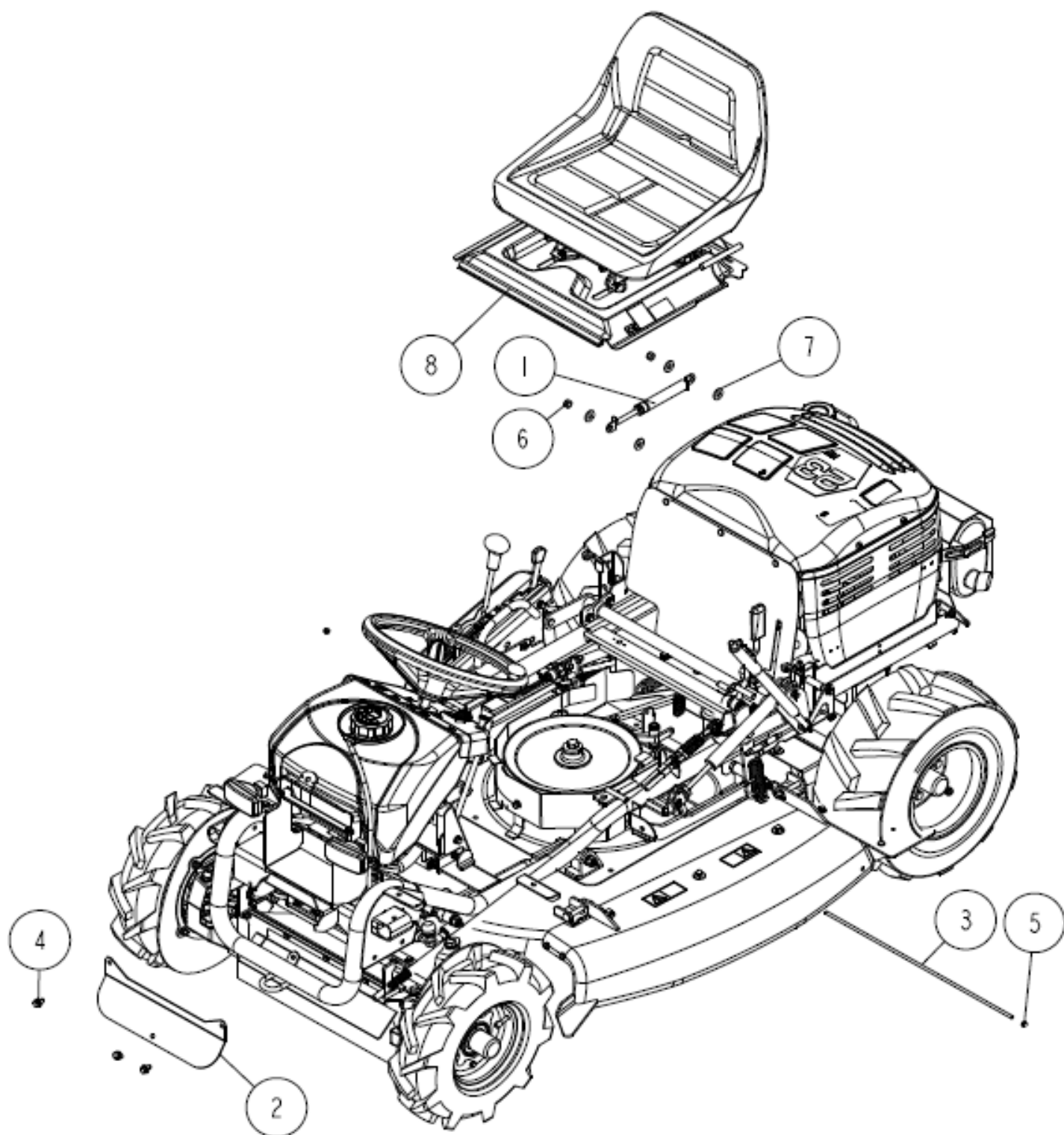
Ref.	Parts Number	Parts Name	Quantity	Remarks
1	0217-70800	Label, Gear Oil 1.0L	1	
2	0227-71300	Label, Right Side (4WD)	1	
3	0227-71400	Label, Left Side (4WD)	1	
4	0227-74500	Label, Cutting Height Adjusting (13380)	1	
5	0227-75500	Label, Model RM980F	1	
6	0227-82300	Sub Frame CMP (RM980F)	1	
7	0244-22400	Side Cover Stay CMP	2	
8	0244-60110	Side Cover (R) Red	1	
9	0244-60210	Side Cover (L) Red	1	
10	0244-81800	Reflection Seat	2	
11	89-1159-080168	Truss Mini Screw M8*16	8	
12	89-1233-080162	Mini Hexagonal Bolt (PWSW) M8*16	2	
13	89-1251-080502	Flange Mini Hexagonal Bolt M8*50	2	
14	89-1253-080202	Flange Mini Hexagonal Bolt (8T) M8*20	2	
15	89-1631-080042	Flange Mini Hexagonal Nut M8	2	



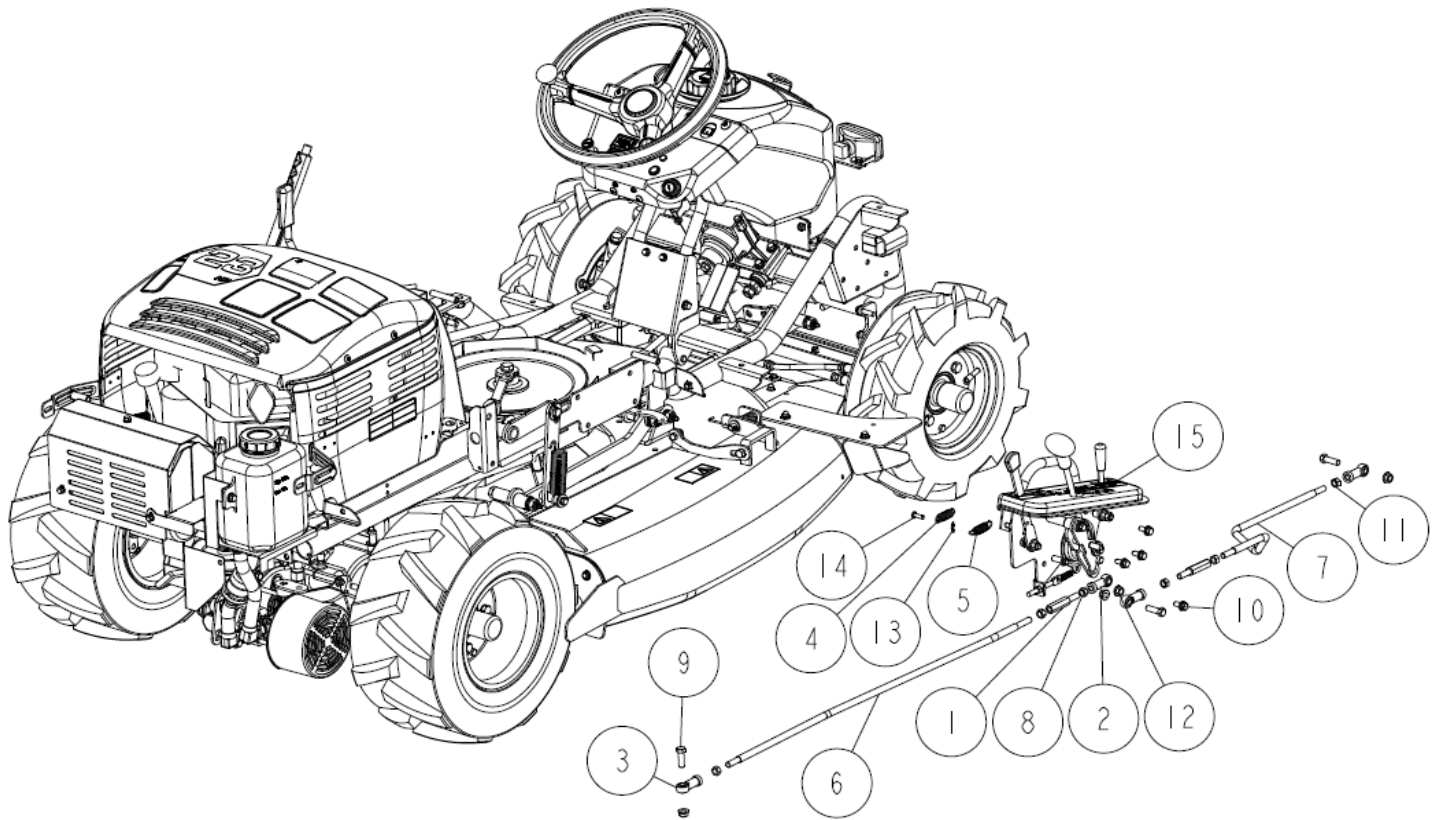
Ref.	Parts Number	Parts Name	Quantity	Remarks
1	0227-12200	Pointer for Clinometer	1	
2	0227-22500	Front Bumper CMP	1	
3	0227-71200	Clinometer Label	1	
4	0227-71600	Label, Main (OREC)	1	
5	0227-71500	Label, Front (4WD)	1	
6	0244-60600	Front Cover	1	
7	89-1211-080252	Mini Hexagonal Bolt M8*25	2	
8	89-1563-080002	Bag Hexagonal U Nut M8	1	
9	89-1611-080042	Mini Hexagonal Nut M8	2	
10	89-1711-080002	Flat Washer 8	1	



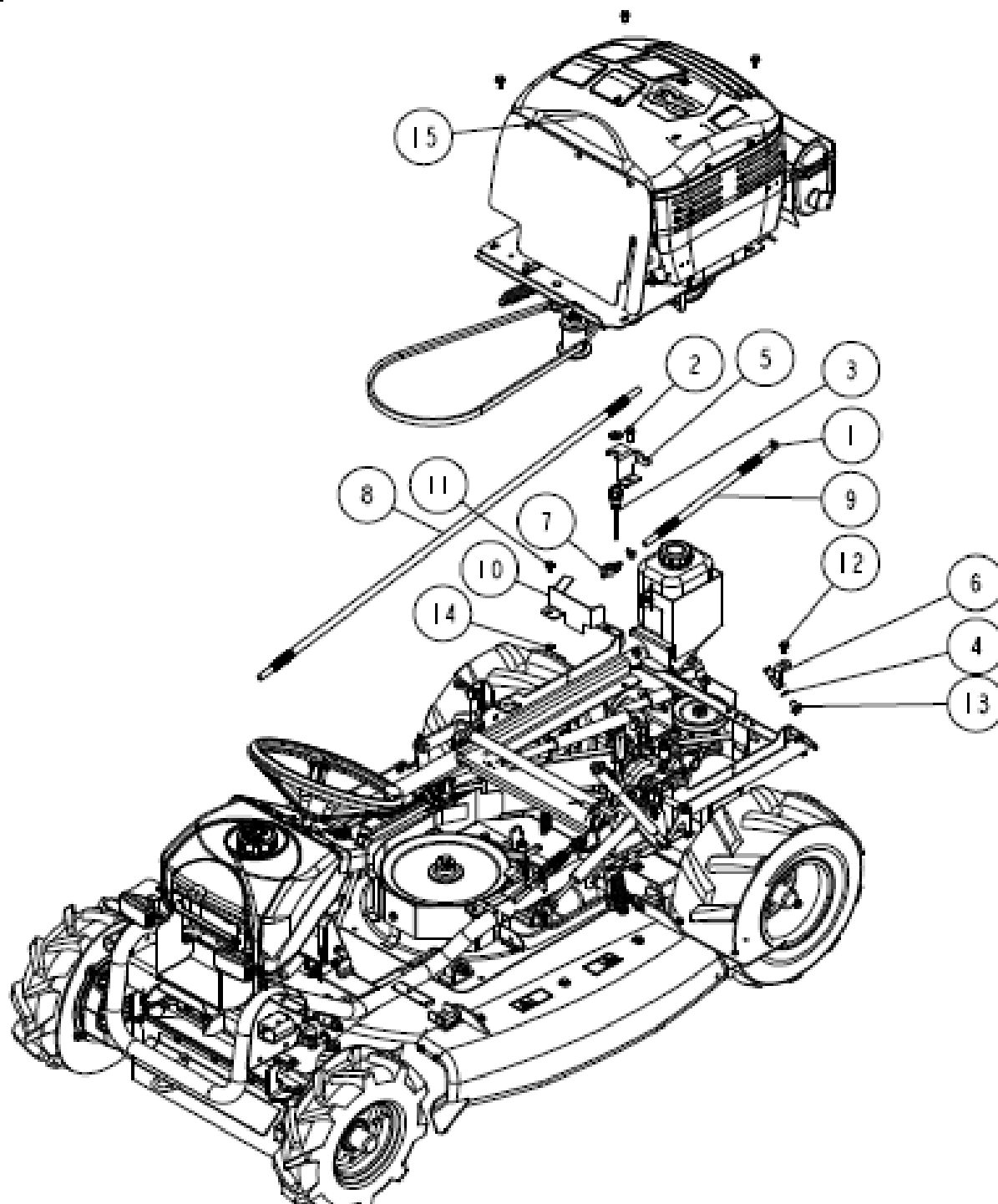
Ref.	Parts Number	Parts Name	Quantity	Remarks
1	0215-83100	Attention Mark for Slope	1	
2	0215-83200	Label, Protection Equipment	1	
3	0223-76100	Label, Caution (Large)	1	
4	0227-10100	Change Pedal CMP	1	
5	0227-20300	Step CMP	1	
6	0227-21200	Pedal Base CMP	1	
7	0227-20500	Step Rubber	1	
8	0290-72100	Change Pedal Rubber	1	
9	83-1310-902-00	OREC Mark	1	
10	83-1484-369-00	Clip (5347)	15	
11	83-1515-975-00	Grease Nipple C-Type M6	1	
12	89-1233-080162	Mini Hexagonal Bolt (PWSW) M8*16	6	
13	89-2511-000160	Snap Ring (S16)	1	
14	89-3510-016250	DU Bush 16.25	2	
15	80-1488-921-00	Label Pedal Stopper (13113)	1	
16	0259-80800	Label, Grease (13260)	1	



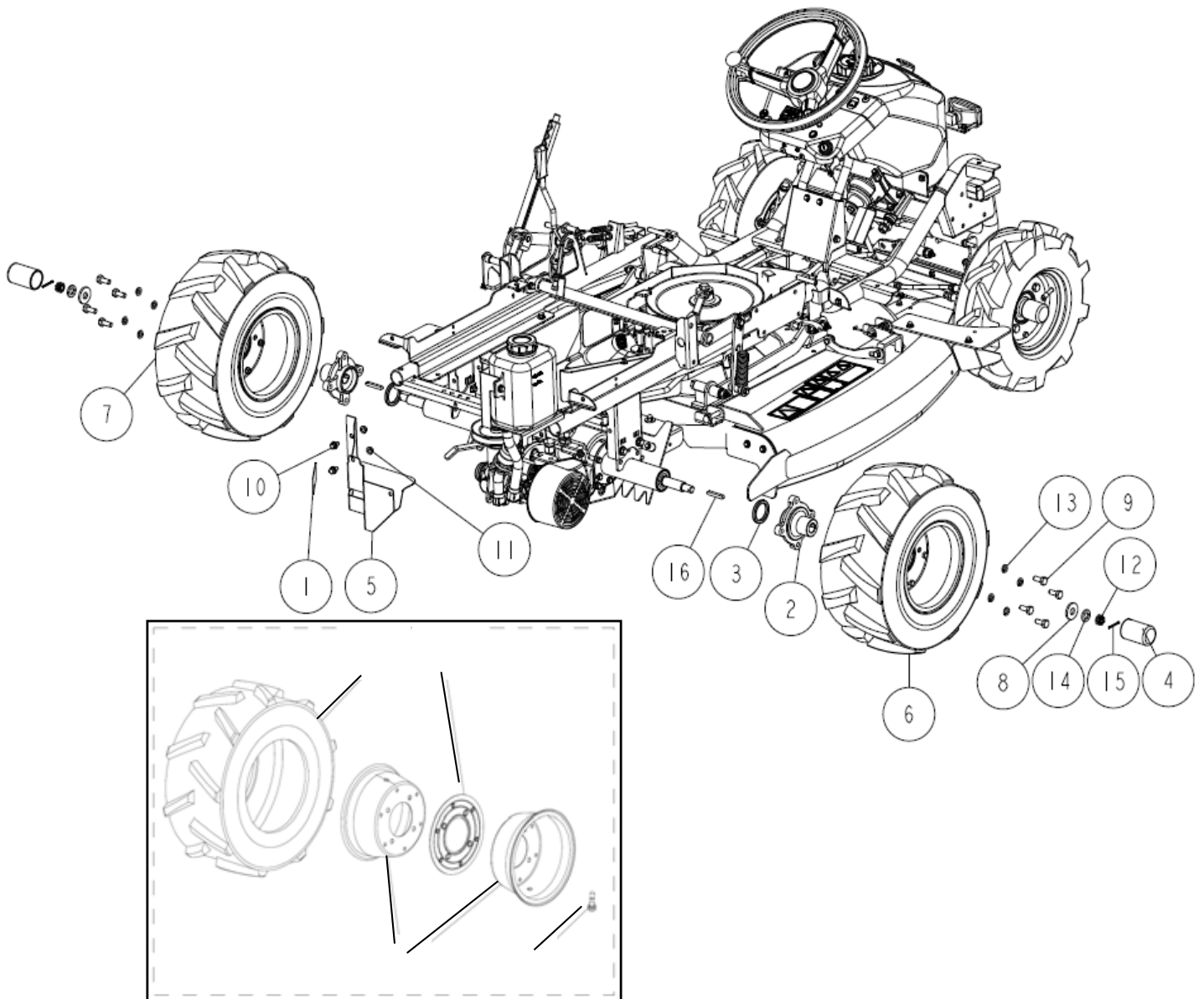
Ref.	Parts Number	Parts Name	Quantity	Remarks
1	0207-72700	Gas Spring KMF 50-40	1	
2	0227-20400	Front Guard	1	
3	0244-22200	Seat Bracket Shaft	1	
4	89-1233-080162	Mini Hexagonal Bolt (PWSW) M8*16	3	
5	89-1553-060002	Bag Hexagonal U Nut M6	2	
6	89-1561-100002	Mini Hexagonal U Nut M10	2	
7	89-1711-100002	Flat Washer 10*18*1.6	4	
8	-	Seat Part		Page 46



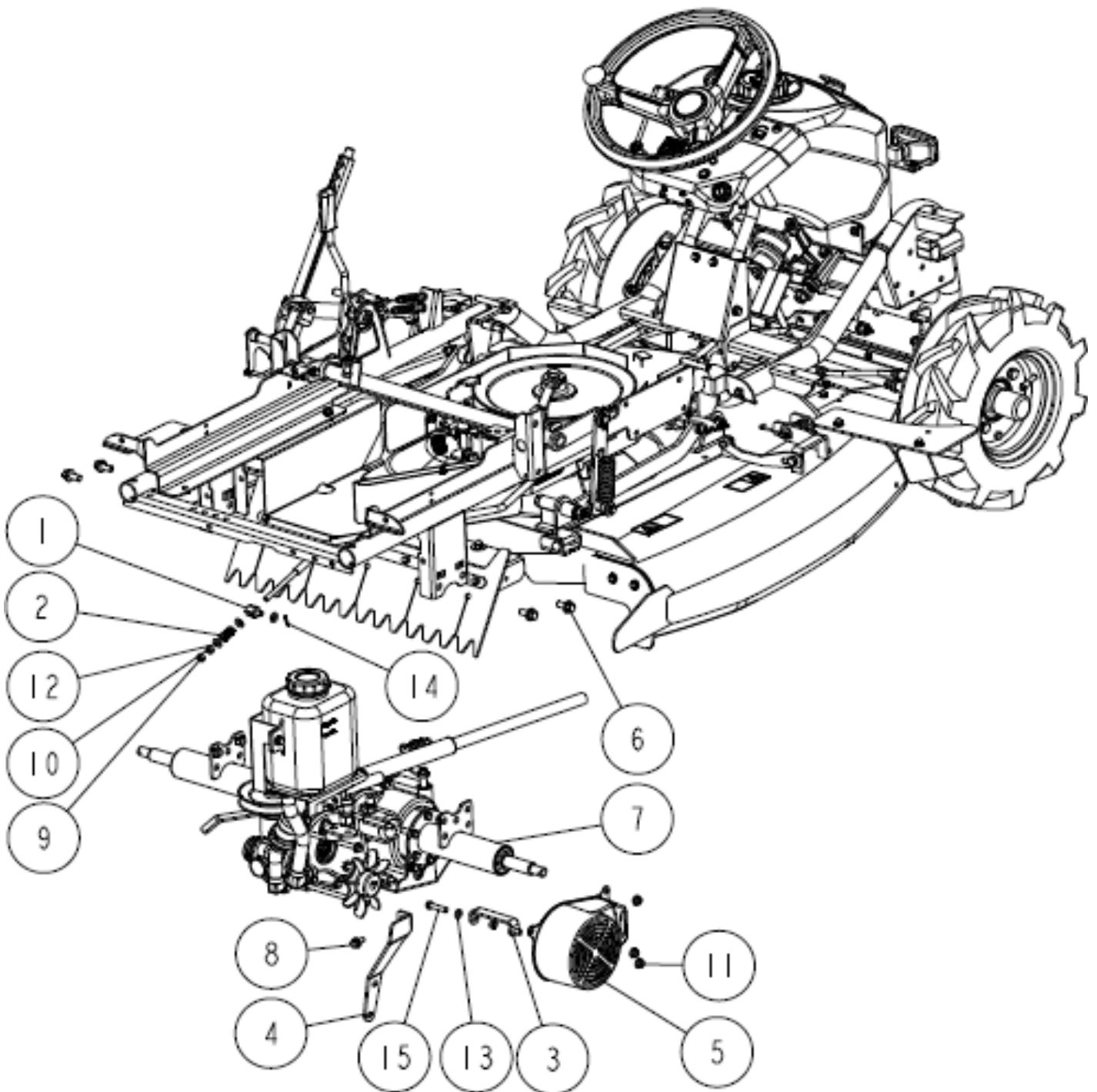
Ref.	Parts Number	Parts Name	Quantity	Remarks
1	80-1485-265-00	Shift Rod Adjuster	2	
2	80-1487-962-10	Rod End PHS10ECL	2	
3	80-1487-964-10	Rod End PHS10EC	2	
4	80-1614-315-00	Return Spring	1	
5	0208-71800	Spring, Neutral	1	
6	0244-13800	Shift Rod	1	
7	0244-13900	Change Pedal Rod	1	
8	83-1488-195-02	Mini Hexagonal Nut M10 (L)	2	
9	89-1213-100302	Mini Hexagonal Bolt (8T) M10*30	3	
10	89-1233-080202	Mini Hexagonal Bolt (PWSW) M8*20	4	
11	89-1611-100042	Mini Hexagonal Nut M10	4	
12	89-1631-100042	Flange Mini Hexagonal Nut M10	4	
13	89-2132-060002	Snap Pin 6 (with stopper)	1	
14	89-2181-060202	Flat Head Pin 6*20	1	
15	-	Control Part	1	Page 36



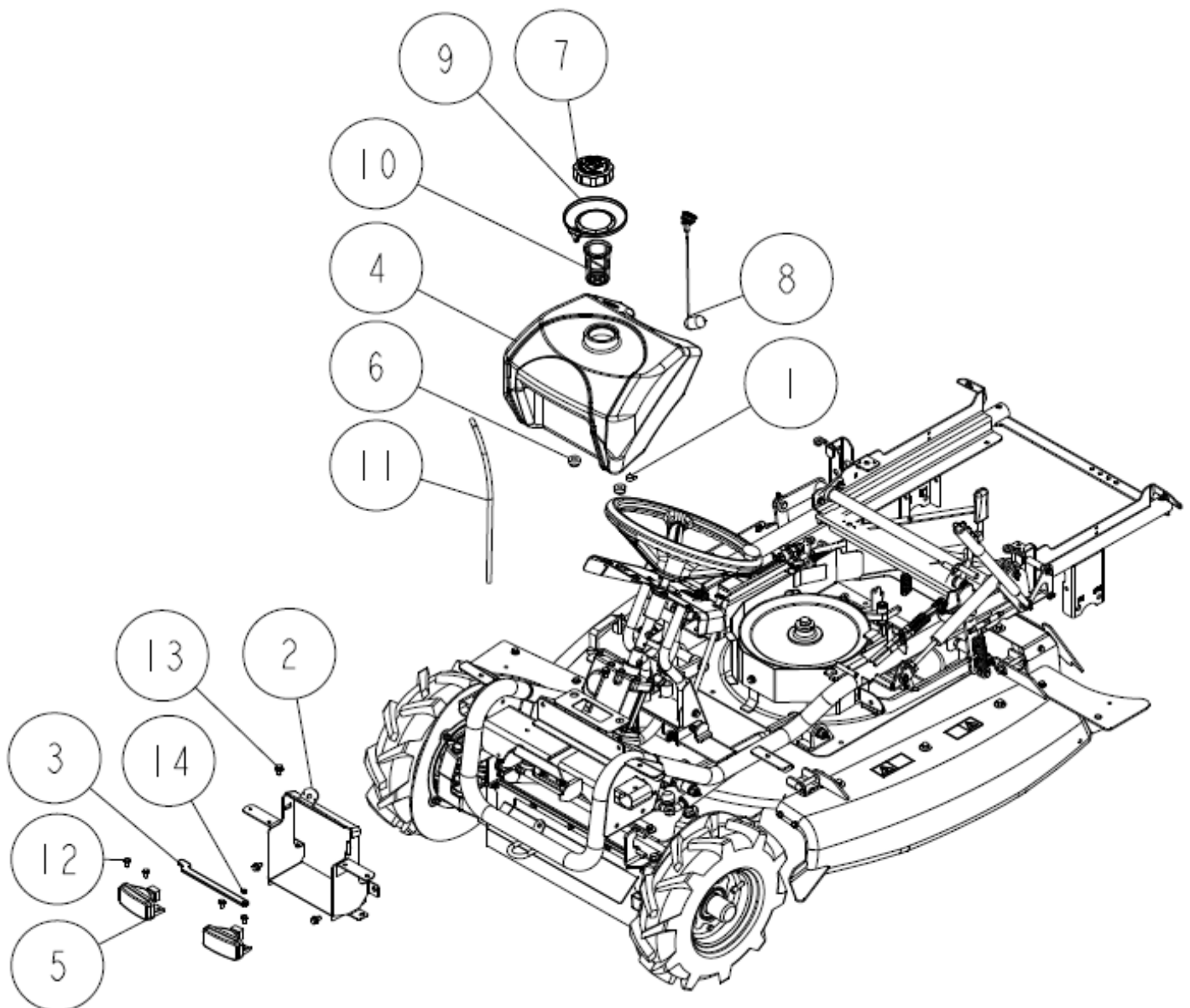
Ref.	Parts Number	Parts Name	Quantity	Remarks
1	80-1483-988-00	Hose Clip 17	3	
2	0207-72800	Switch Lock Nut	1	
3	0207-74400	Safety Switch K17850	1	
4	0207-74900	Copper Packing 12.5*19*1.0	1	
5	0244-20400	Fuel Cock Bracket	1	
6	0244-40200	Drain End CMP	1	
7	0244-74500	Fuel Cock	1	
8	0244-75200	Fuel Hose (Front)	1	
9	0244-75300	Fuel Hose (B)	1	
10	0292-82400	Protection Guard (RM97)	1	
11	89-1233-080162	Mini Hexagonal Bolt (PWSW) M8*16	1	
12	89-1233-080202	Mini Hexagonal Bolt (PWSW) M8*20	4	
13	89-1251-120152	Flange Mini Hexagonal Bolt M12*15	1	
14	89-1631-080042	Flange Mini Hexagonal Nut M8	1	
15	-	Engine Part		Page 51



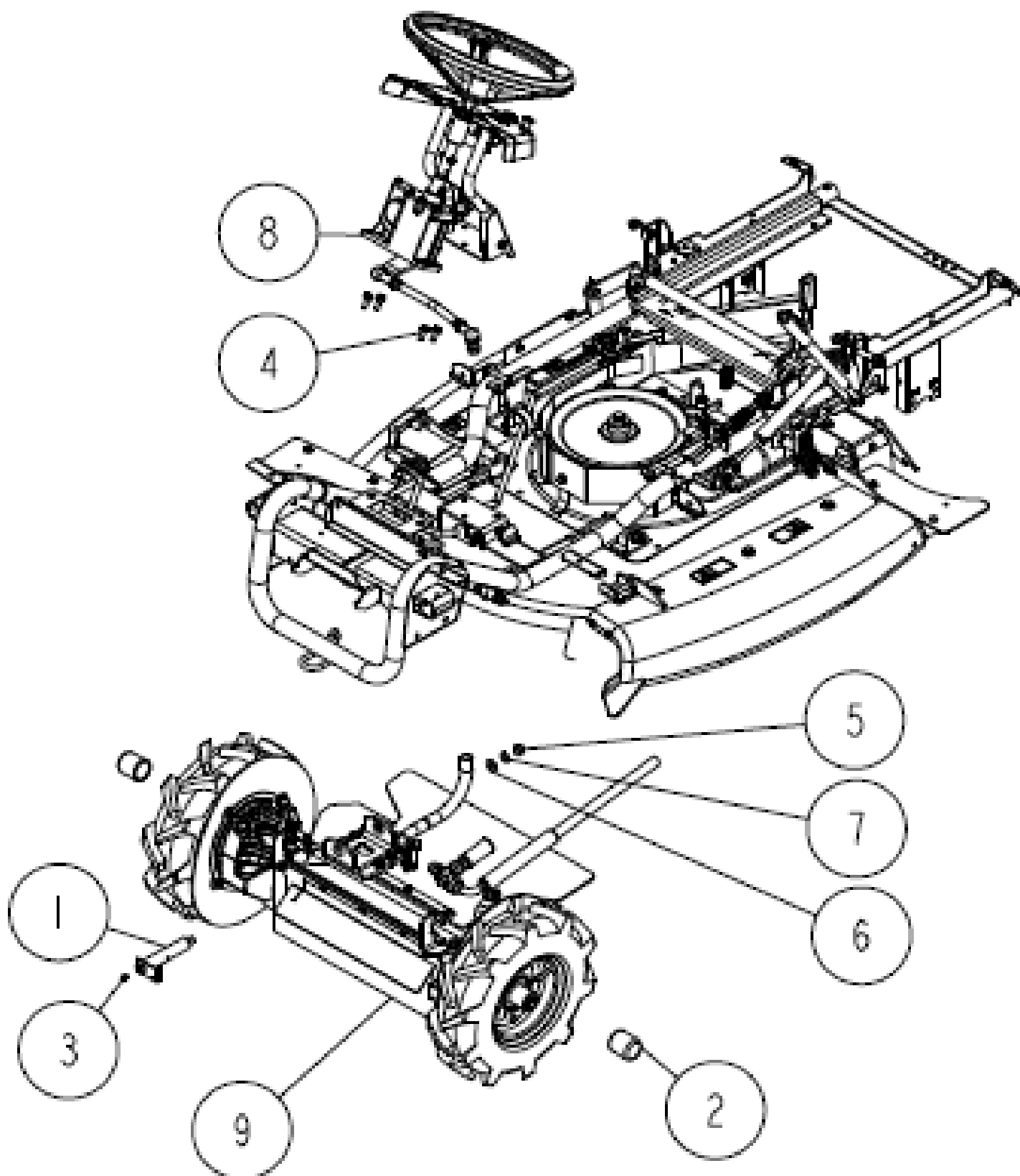
Ref.	Parts Number	Parts Name	Quantity	Remarks
1	80-1488-928-10	Label, Caution for Belt Involving	1	
2	0207-31200	Rear Wheel Boss	2	
3	0207-77800	Wheel Boss Dust Seal	2	
4	0227-70600	Rear Wheel Cap (φ42*75L)	2	
5	0227-81500	Rear Belt Cover (RM980F)	1	
6	0244-78400	Tire (R) Assy (17*8.00-8)	1	
7	0244-78500	Tire (L) Assy (17*8.00-8)	1	
8	83-1630-335-00	Washer 16*40*4.5	2	
9	89-1113-100252	Hexagonal Bolt (8T) M10*25	8	
10	89-1233-080162	Mini Hexagonal Bolt (PWSW) M8*16	3	
11	89-1631-080042	Flange Mini Hexagonal Nut M8	3	
12	89-1658-160042	Low Fluted Nut (2 sorts) M16	2	
13	89-1750-100002	Spring Washer 10	8	
14	89-1750-160002	Spring Washer 16	2	
15	89-2120-350352	Split Pin 3.5*35	2	
16	89-2150-070500	Key 7*50 (round)	2	
17	0244-78600	Tire (17*8.00-8 , BS / FM2)	2	
18	0244-78800	Wheel Assy 17*800-8	2	
19	0244-78700	Packing (17*8.00-8)	2	
20	0244-78800	Wheel Assy 17*800-8	2	



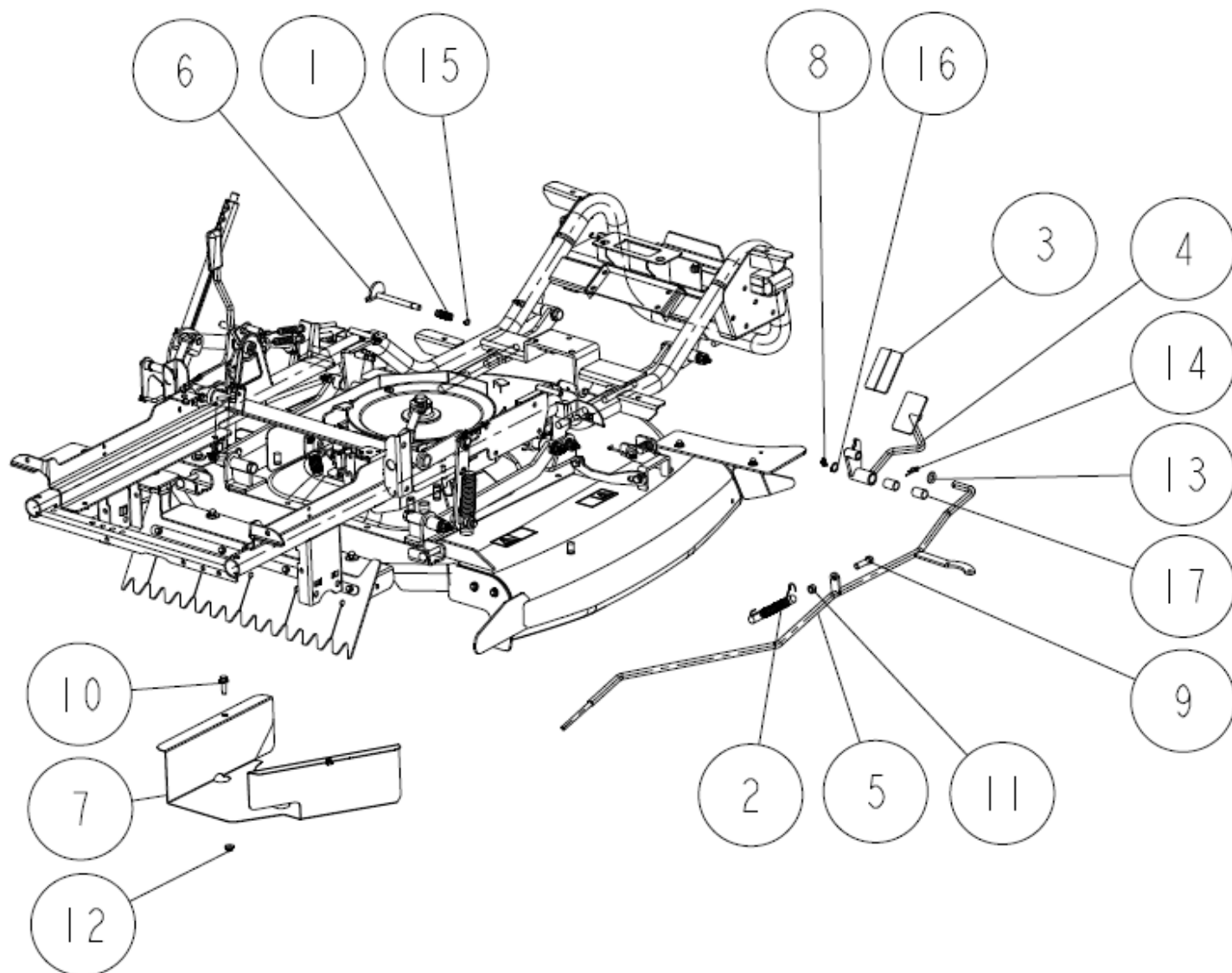
Ref.	Parts Number	Parts Name	Quantity	Remarks
1	0207-10300	Brake Joint	1	
2	0207-75400	Brake Spring 30	1	
3	0227-02200	Fan Cover Setting CMP	1	
4	0227-02500	Transmission Hunger Stay	1	
5	0227-02900	Fan Cover CMP	1	
6	0244-83200	Mini Hexagonal Bolt (PWSW) M10*25 (7T Lo	4	
7	-	Mission Part	1	Page 17
8	89-1233-080202	Mini Hexagonal Bolt (PWSW) M8*20	1	
9	89-1561-080002	Mini Hexagonal U Nut M8	1	
10	89-1611-080042	Mini Hexagonal Nut M8	2	
11	89-1631-080042	Flange Mini Hexagonal Nut M8	3	
12	89-1711-080002	Flat Washer 8	3	
13	89-1750-080002	Spring Washer 8	1	
14	89-2120-200152	Split Pin 2*15	1	
15	89-1211-080352	Mini Hexagonal Bolt M8*35	1	



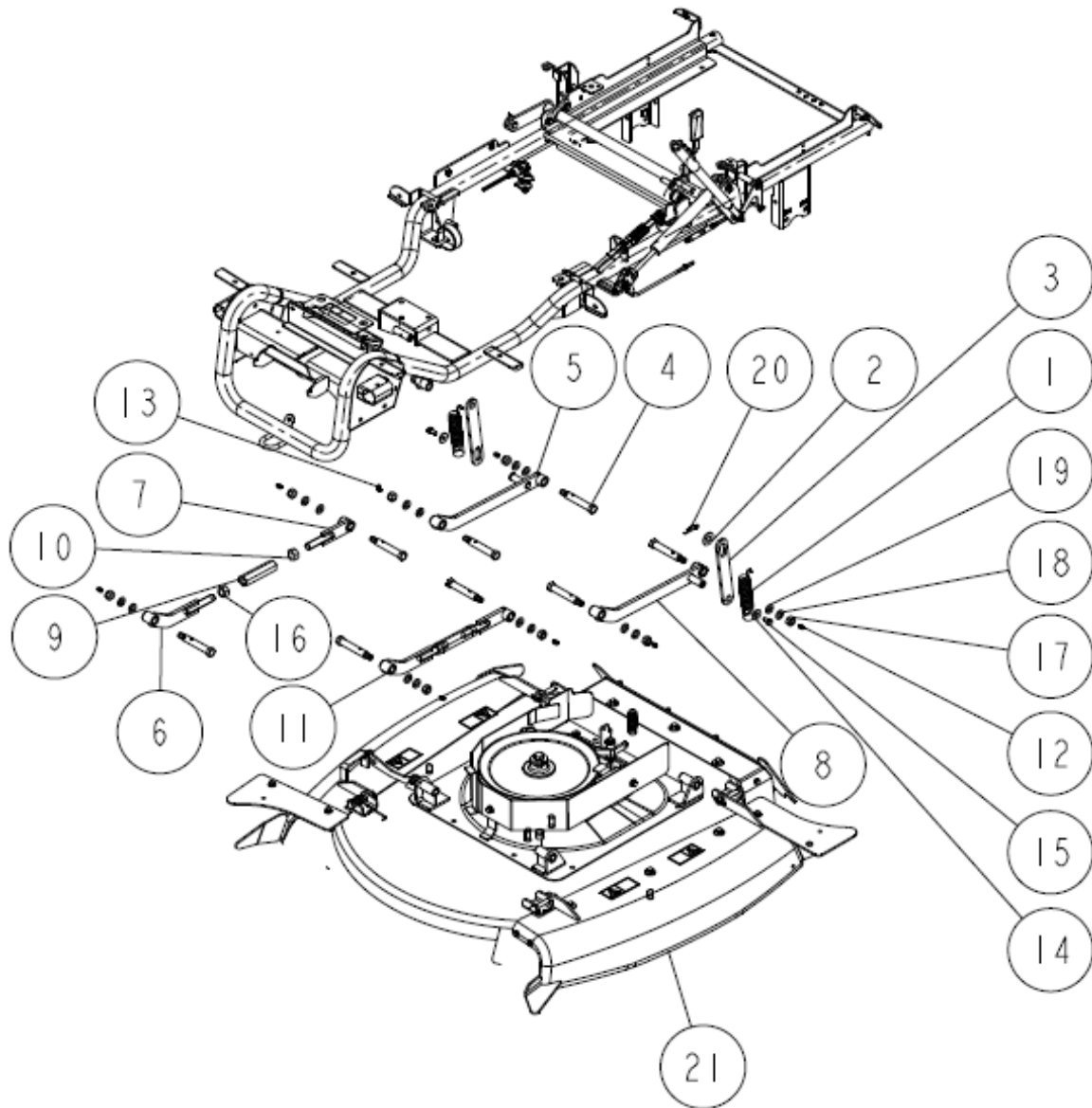
Ref.	Parts Number	Parts Name	Quantity	Remarks
1	80-1483-988-00	Hose Clip 17	1	
2	0227-82100	Battery Case CMP (RM980F)	1	
3	0244-60810	Battery Setting Stay	1	
4	0244-70100	Fuel Tank	1	
5	0244-72900	Head Lamp	2	
6	0244-73400	Fuel Tank Bush	2	
7	0244-76600	Tank Cap Assy	1	
8	0244-76700	Fuel Gauge Assy	1	
9	0244-76800	Leak Guide	1	
10	0244-76900	Filter	1	
11	0244-77800	Leak Hose	1	
12	89-1137-060152	Hexagonal Bolt (PW) M6*15	4	
13	89-1233-080162	Mini Hexagonal Bolt (PWSW) M8*16	5	
14	89-1551-060002	Hexagonal U Nut M6	2	



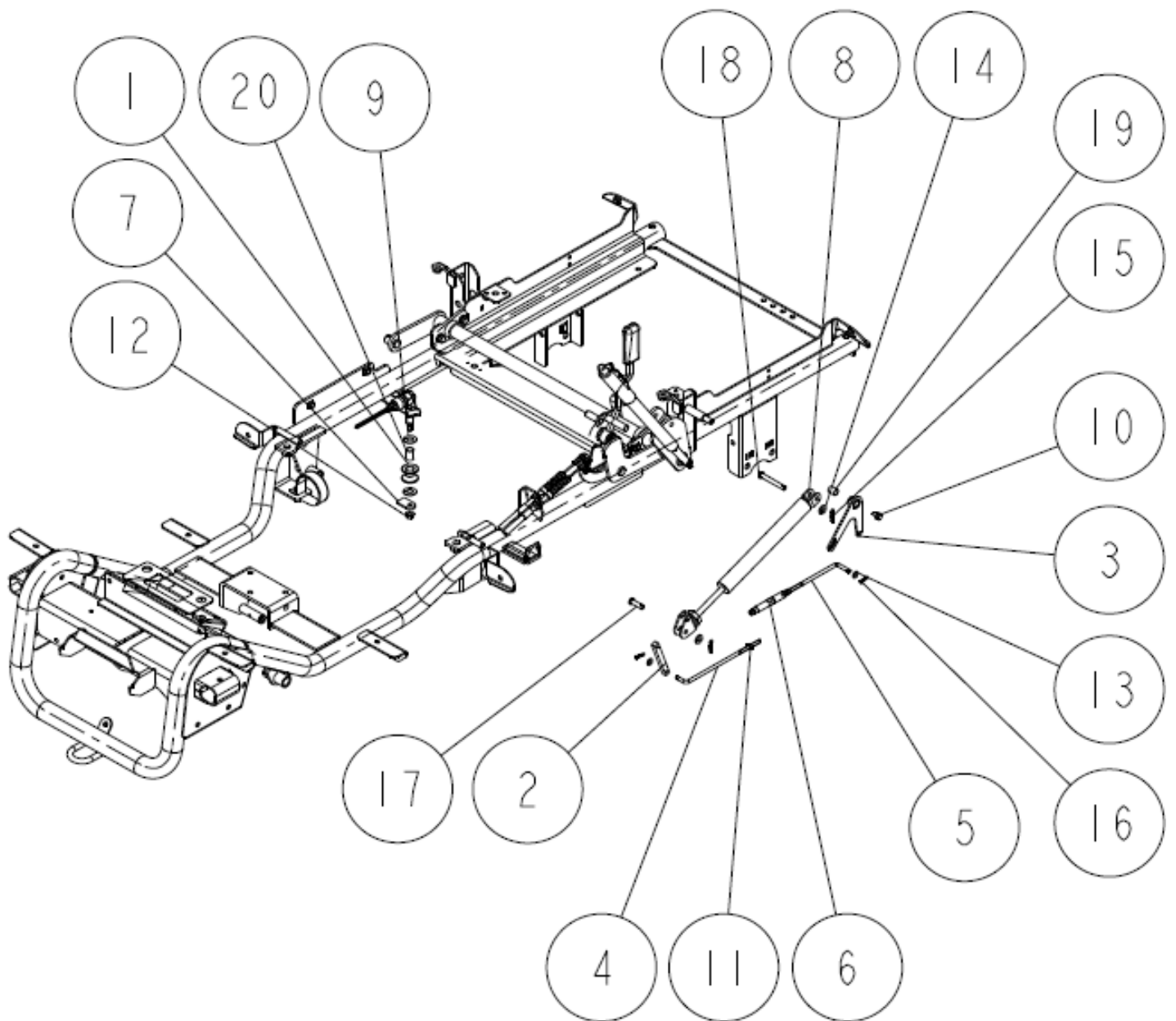
Ref.	Parts Number	Parts Name	Quantity	Remarks
1	0227-32200	Center Pin CMP	1	
2	0227-70300	Front Wheel Cap (φ42L*50)	2	
3	83-1415-975-00	Grease Nipple M6	1	
4	89-1236-080252	Mini Hexagonal Bolt (PWSW) M8*25	4	
5	89-1551-120002	Hexagonal U Nut M12	1	
6	89-1713-120002	Flat Washer 12 (large)	1	
7	89-1750-120002	Spring Washer 12	1	
8	-	Front Part		Page 31
9	-	Steering Part		Page 28



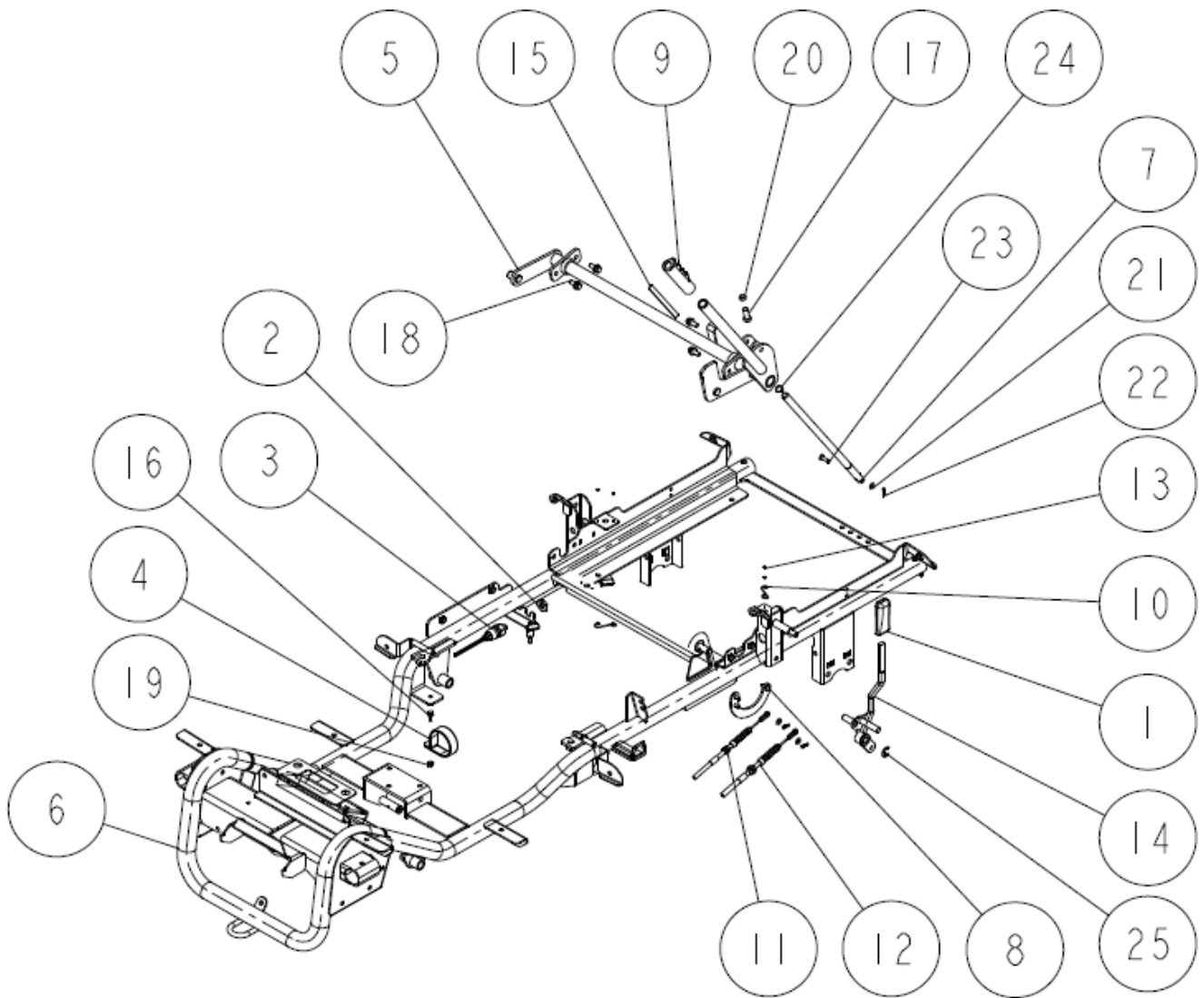
Ref.	Parts Number	Parts Name	Quantity	Remarks
1	80-1020-969-00	Change Return Spring	1	
2	80-1493-354-00	Rod Return Spring	1	
3	80-1781-943-00	Pedal Rubber	1	
4	0227-10200	Brake Pedal CMP	1	
5	0227-10300	Brake Lod CMP	1	
6	0227-11700	Brake Stopper CMP	1	
7	0224-81400	Center Belt Cover CMP	1	
8	83-1415-975-00	Grease Nipple M6	1	
9	89-1213-100352	Mini Hexagonal Bolt (8T) M10*35	1	
10	89-1233-080302	Mini Hexagonal Bolt (PWSW) M8*30	1	
11	89-1611-100042	Mini Hexagonal Nut M10	1	
12	89-1631-080042	Flange Mini Hexagonal Nut M8	1	
13	89-1711-120002	Flat Washer 12	1	
14	89-2131-120002	Snap Pin 12	1	
15	89-2511-000100	Snap Ring (S10)	1	
16	89-2511-000160	Snap Ring (S16)	1	
17	89-3510-016250	DU Bush 16.25	2	



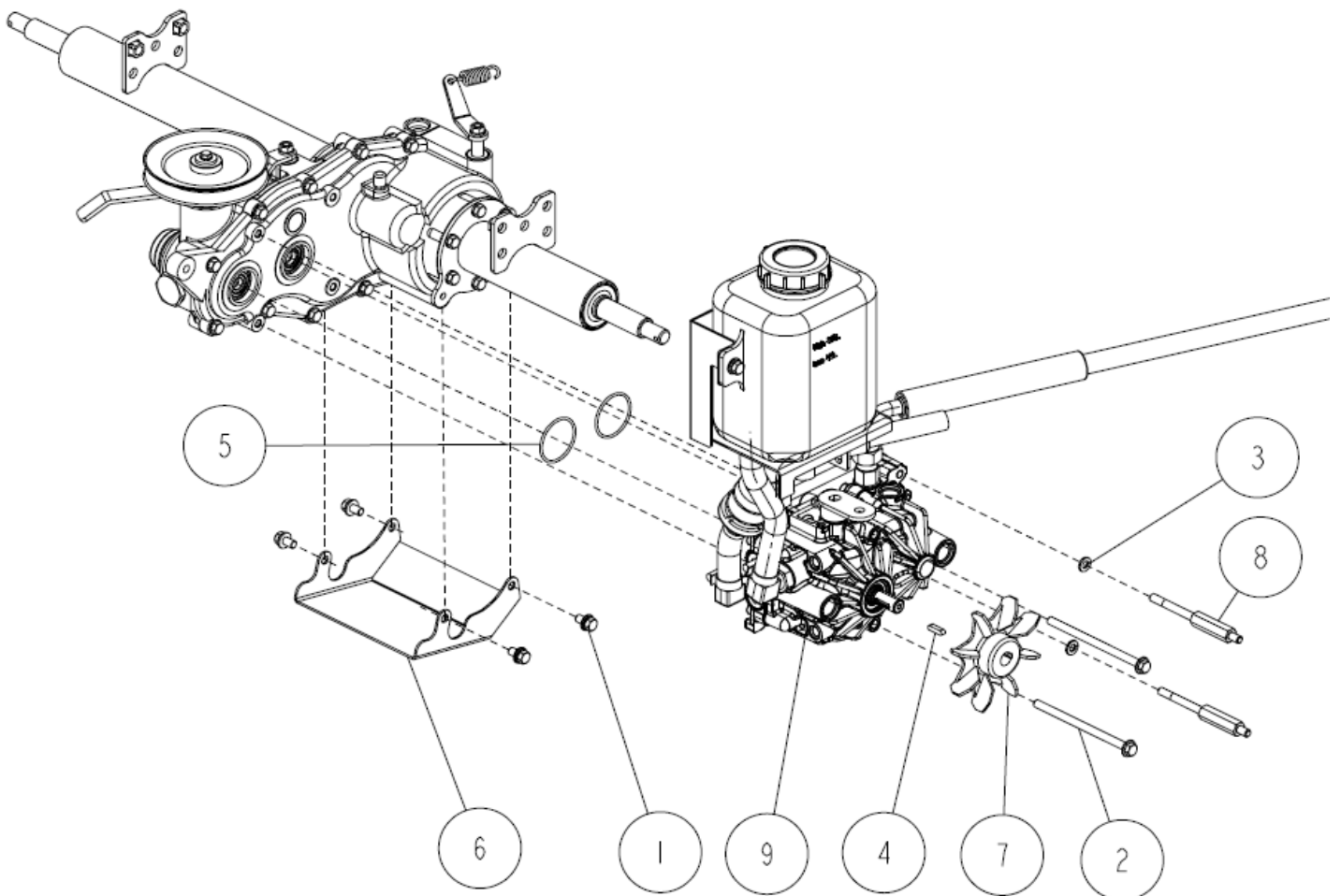
Ref.	Parts Number	Parts Name	Quantity	Remarks
1	0207-76200	Spring (Up/Down)	2	
2	0207-76800	Washer 16*32*2.3	2	
3	0227-11500	Connecting Plate (RM980F)	2	
4	0244-52200	Link Bolt	8	
5	0255-50100	Rear Link Arm R CMP	1	
6	0255-50200	Front Link Arm R CMP	1	
7	0255-50300	Front Link Arm B CMP	2	
8	0255-50400	Rear Link Arm L CMP	1	
9	0255-50600	Link Arm Adjuster	2	
10	0255-70200	Hexagonal Nut M16(L)	2	
11	0281-50200	Front Link Arm L CMP	1	
12	83-1415-975-00	Grease Nipple M6	7	
13	83-1515-975-00	Grease Nipple C-Type M6	1	
14	83-1751-311-00	Flat Washer 8*25*2.3	2	
15	89-1232-080162	Mini Hexagonal Bolt (SW) M8*16	2	
16	89-1511-160042	Hexagonal Nut M16	2	
17	89-1551-120002	Hexagonal U Nut M12	8	
18	89-1711-120002	Flat Washer 12	8	
19	89-1750-120002	Spring Washer 12	8	
20	89-2131-160002	Snap Pin 16	2	
21	-	Cutting Part		Page 41
-	0255-52200	Front Link Arm L Assy	1	Include: 7,9,10,11,16
-	0255-52100	Front Link Arm R Assy	1	Include: 6,7,9,10,16,



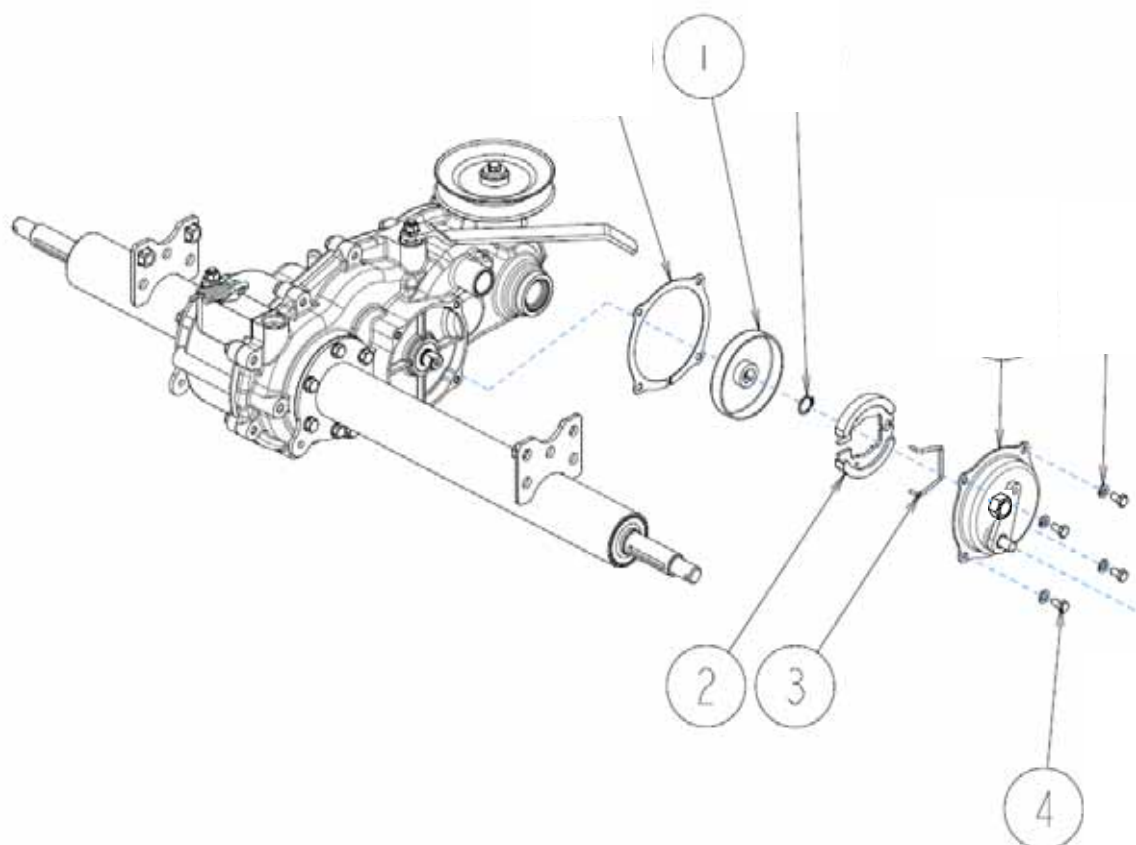
Ref.	Parts Number	Parts Name	Quantity	Remarks
1	80-1484-354-10	Brake Rod Roller	1	
2	0244-10500	Lock Pusher	1	
3	0244-11300	Push Rod Receiver CMP	1	
4	0244-11400	Adjuster Rod (R)	1	
5	0244-11500	Adjuster Rod (L)	1	
6	0244-11600	Turn Buckle (Pipe Type)	1	
7	0244-22600	Brake Rod Hung Plate	1	
8	0255-70100	Gas Spring Free Lock Type(FLC75-35)	1	
9	83-1020-355-00	Thrust Washer 12*24*1.0	2	
10	89-1132-060122	Hexagonal Bolt (SW) M6*12	1	
11	89-1511-060042	Hexagonal Nut M6	1	
12	89-1543-080002	Mini Hexagonal Nut (SW) M8	1	
13	89-1711-060002	Flat Washer 6	2	
14	89-1711-080002	Flat Washer 8	2	
15	89-2131-080002	Snap Pin 8	2	
16	89-2132-060002	Snap Pin 6 (with stopper)	2	
17	89-2181-080282	Flat Head Pin 8*28	1	
18	89-2181-080602	Flat Head Pin 8*60	1	
19	89-3510-010150	DU Bush 10.15	1	
20	89-3510-012200	DU Bush 12.20	1	



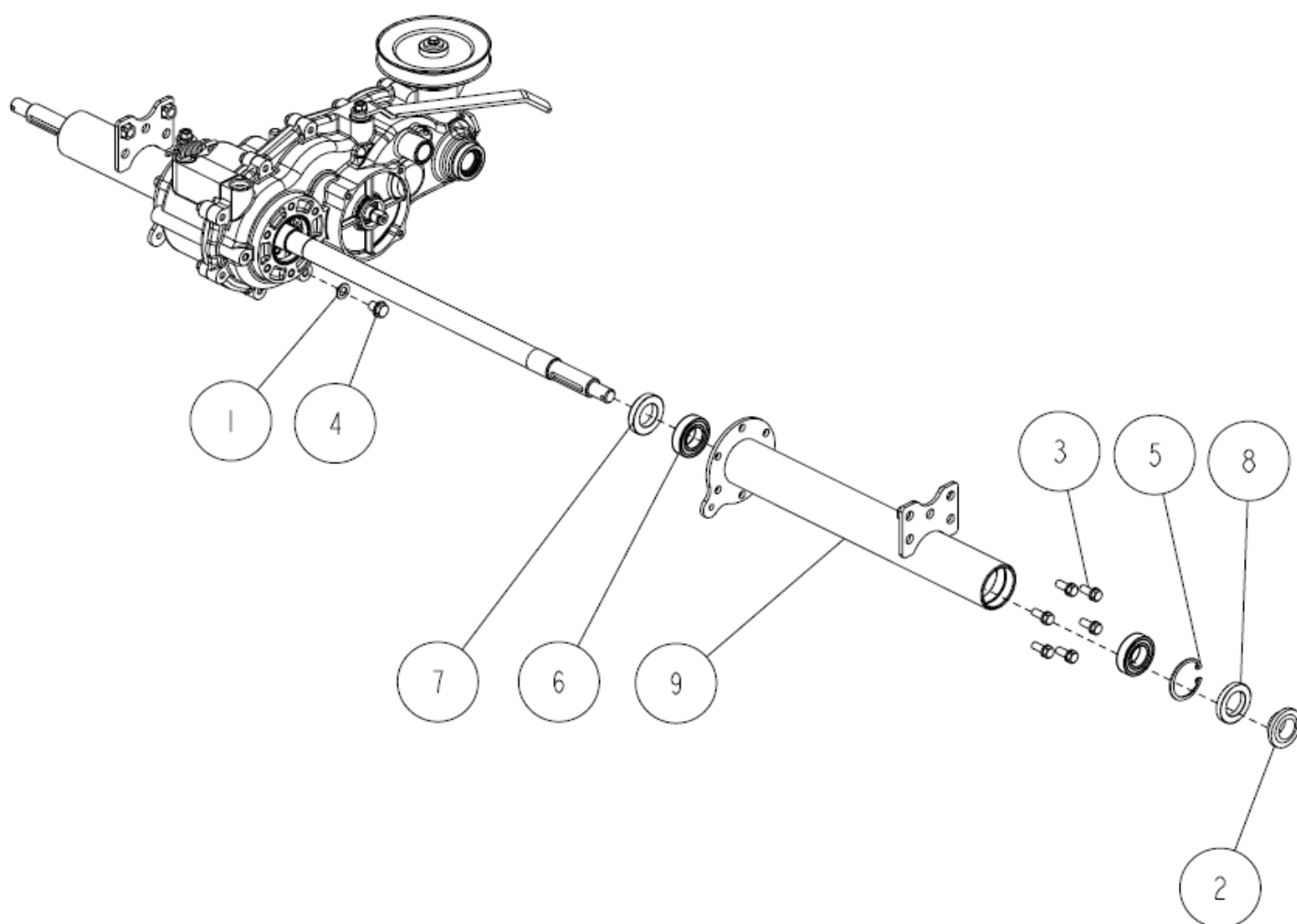
Ref.	Parts Number	Parts Name	Quantity	Remarks
1	0289-71300	Arm Grip (Red)	1	
2	0207-72800	Switch Lock Nut	1	
3	0207-74400	Safety Switch K17850	1	
4	0227-00900	Wire Band	1	
5	0227-11100	Up/Down Adjusting Shaft CMP	1	
6	0227-81100	Frame CMP (RM980F)	1	
7	0244-11200	Push Rod	1	
8	0244-13700	Wire Joint CMP	1	
9	0244-70200	Adjusting Shaft Grip	1	
10	0244-71500	Fastener Spring ST-9	4	
11	0244-72200	Knife Brake Wire	1	
12	0244-72300	Cutting Clutch Wire	1	
13	0244-75100	Blind Rivet	8	
14	0259-14310	Knife Clutch Lever	1	
15	0259-80700	Label, Cutting Height Line (13259)	1	
16	89-1138-060162	Hexagonal Bolt (SW) M6*16	1	
17	89-1211-100252	Mini Hexagonal Bolt M10*25	1	
18	89-1233-080202	Mini Hexagonal Bolt (PWSW) M8*20	4	
19	89-1531-060042	Flange Nut M6	1	
20	89-1611-080042	Mini Hexagonal Nut M8	1	
21	89-1711-060002	Flat Washer 6	3	
22	89-2132-060002	Snap Pin 6 (with stopper)	3	
23	89-2181-060202	Flat Head Pin 6*20	1	
24	89-2511-000130	Snap Ring (S13)	1	
25	89-2521-000120	E Type Ring 12	1	



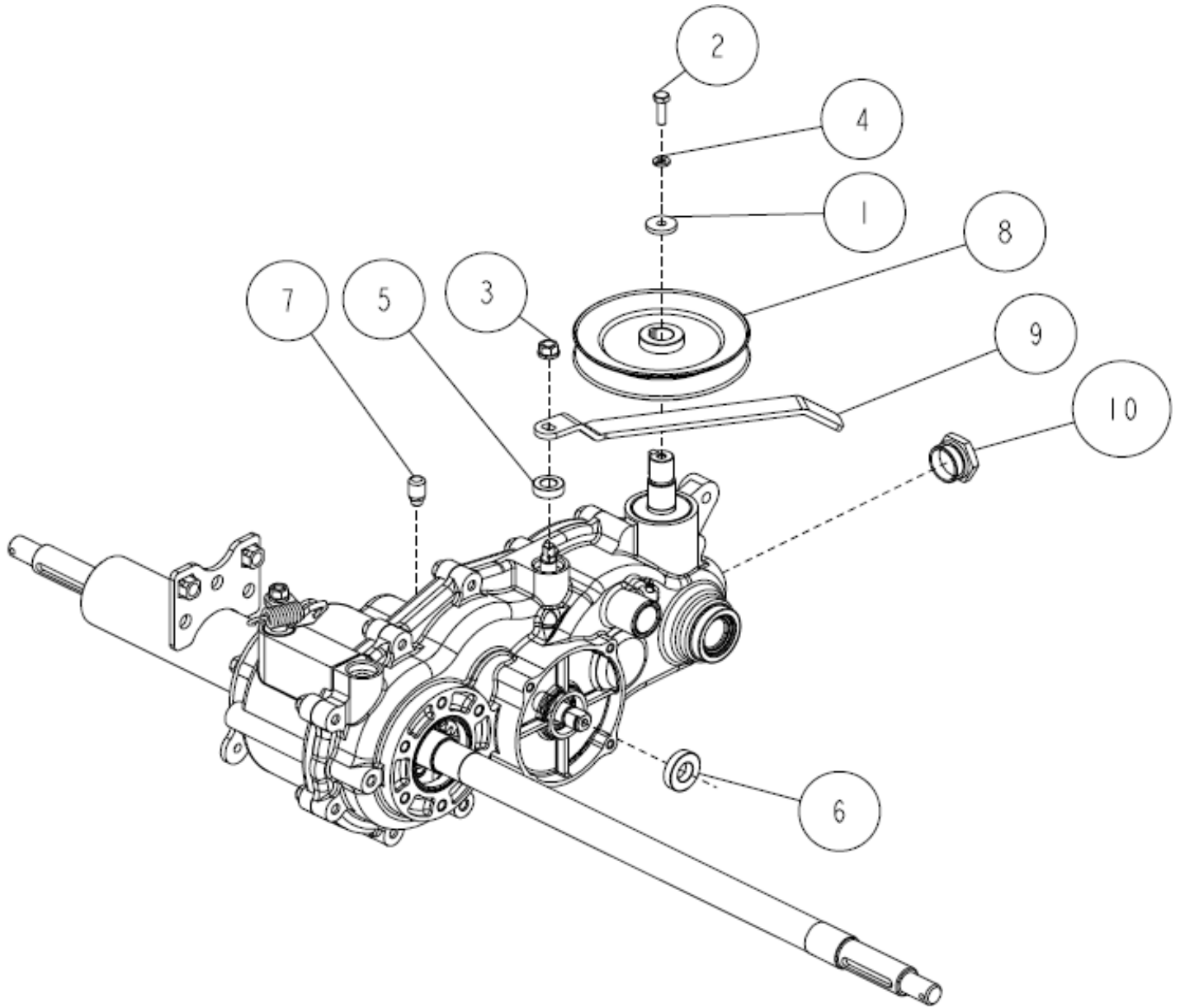
Ref.	Parts Number	Parts Name	Quantity	Remarks
1	89-1239-080162	Mini Hexagonal Bolt (PWSW) M8*16	4	
2	89-1251-081303	Flange Mini Hexagonal Bolt M8*130	2	
3	89-1750-080002	Spring Washer 8	2	
4	89-2150-050200	Key 5*20 (round)	1	
5	89-5222-045000	O Ring G45	2	
6	0207-03100	Mission Guard CMP	1	
7	0227-00300	Fan (RM980F)	1	
8	0227-02300	Double Spring Bolt 125	2	
9	0227-09000	HST Unit Assy (RM980F)	1	



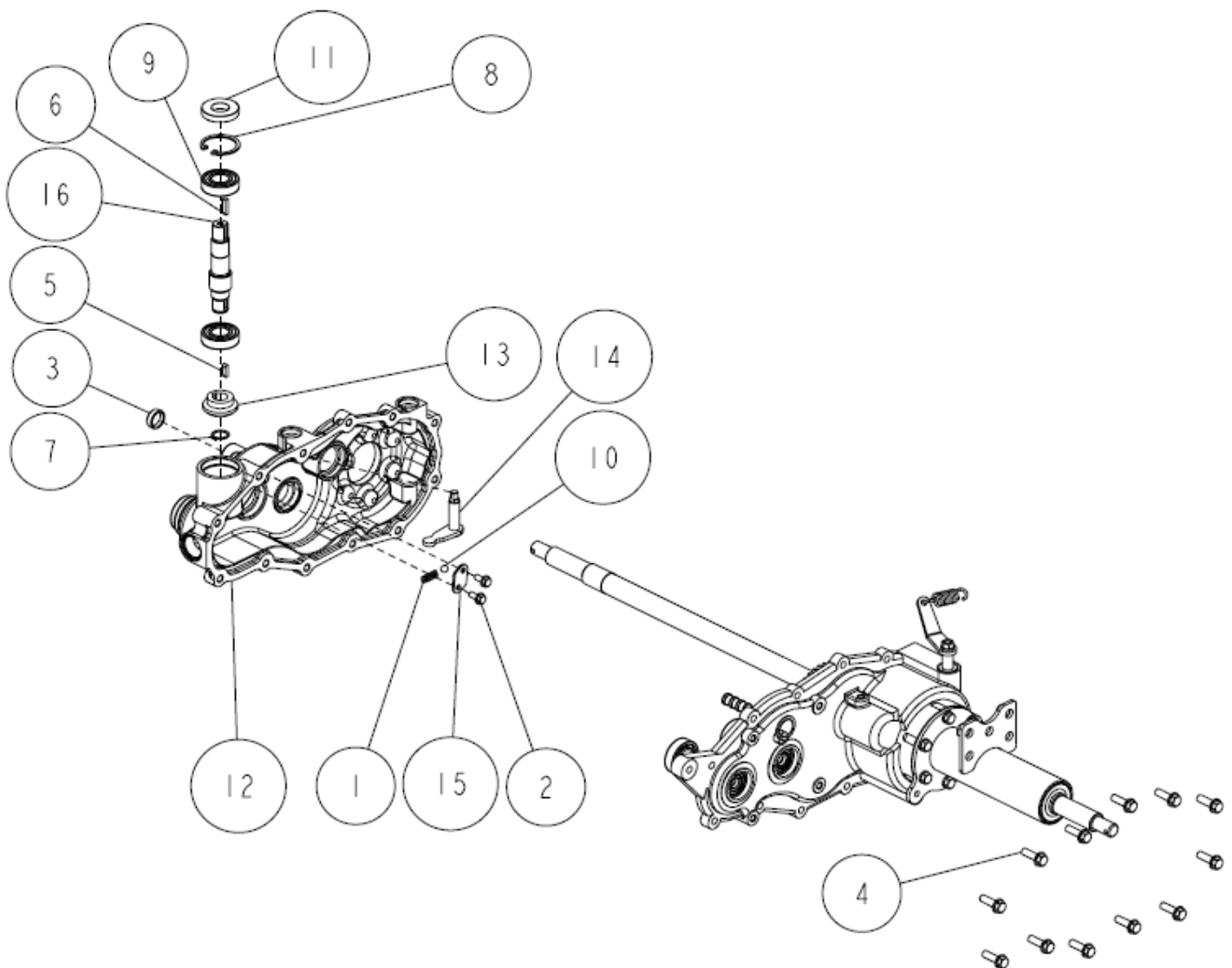
Ref.	Parts Number	Parts Name	Quantity	Remarks
1	80-1030-282-00	Brake Drum (PA-7)	1	
2	0244-88100	Brake Shoe Set (PA-7)	1 set	
3	80-1030-285-00	Spring for Brake Shoe Return	1	
4	89-1113-060122	Hexagonal Bolt (8T) M6*12	4	
5	89-1750-060002	Spring Washer 6	4	
6	89-2511-000150	Snap Ring (S15)	1	
7	0207-04100	Brake Cover PK (PA-7)	1	
8	0207-73200	Brake Cap Assy	1	Include: 2,3
1,2,3,7,8	0207-73000	Brake Assy	1	



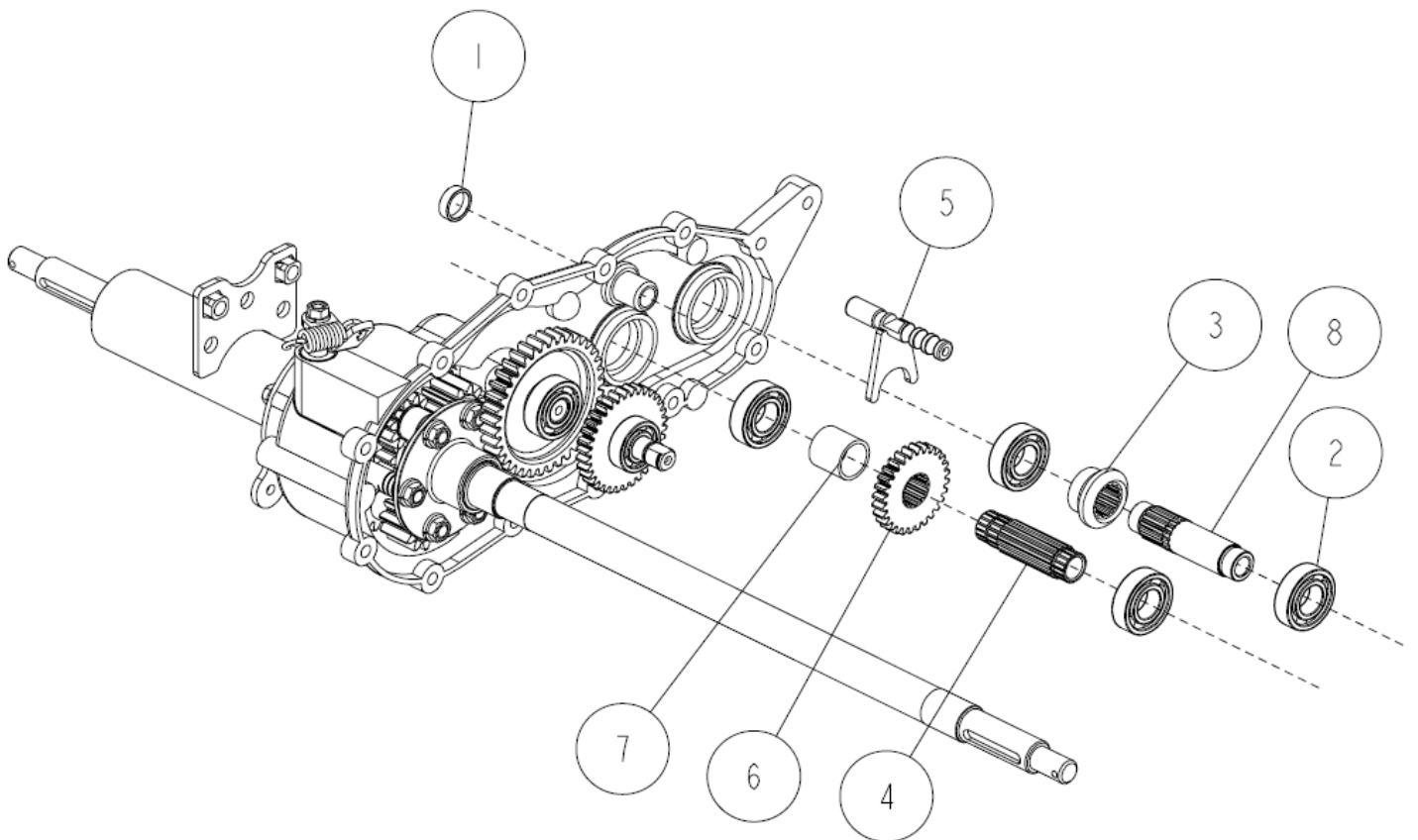
Ref.	Parts Number	Parts Name	Quantity	Remarks
1	83-1020-349-00	Copper Packing 10.5*18*1.6	1	
2	83-1415-663-00	Oil Seal AP 30.47.7	1	
3	89-1232-080202	Mini Hexagonal Bolt (SW) M8*20	6	
4	89-1252-100122	Flange Mini Hexagonal Bolt M10*12 (slender)	1	
5	89-2512-000470	Snap Ring (R47)	1	
6	89-3115-060054	Bearing 6005 2RS	2	
7	89-5121-284708	Oil Seal UE 28.47.8	1	
8	89-5121-304707	Oil Seal UE 30.47.7	1	
9	0244-01100	Axle Case (L) CMP	1	



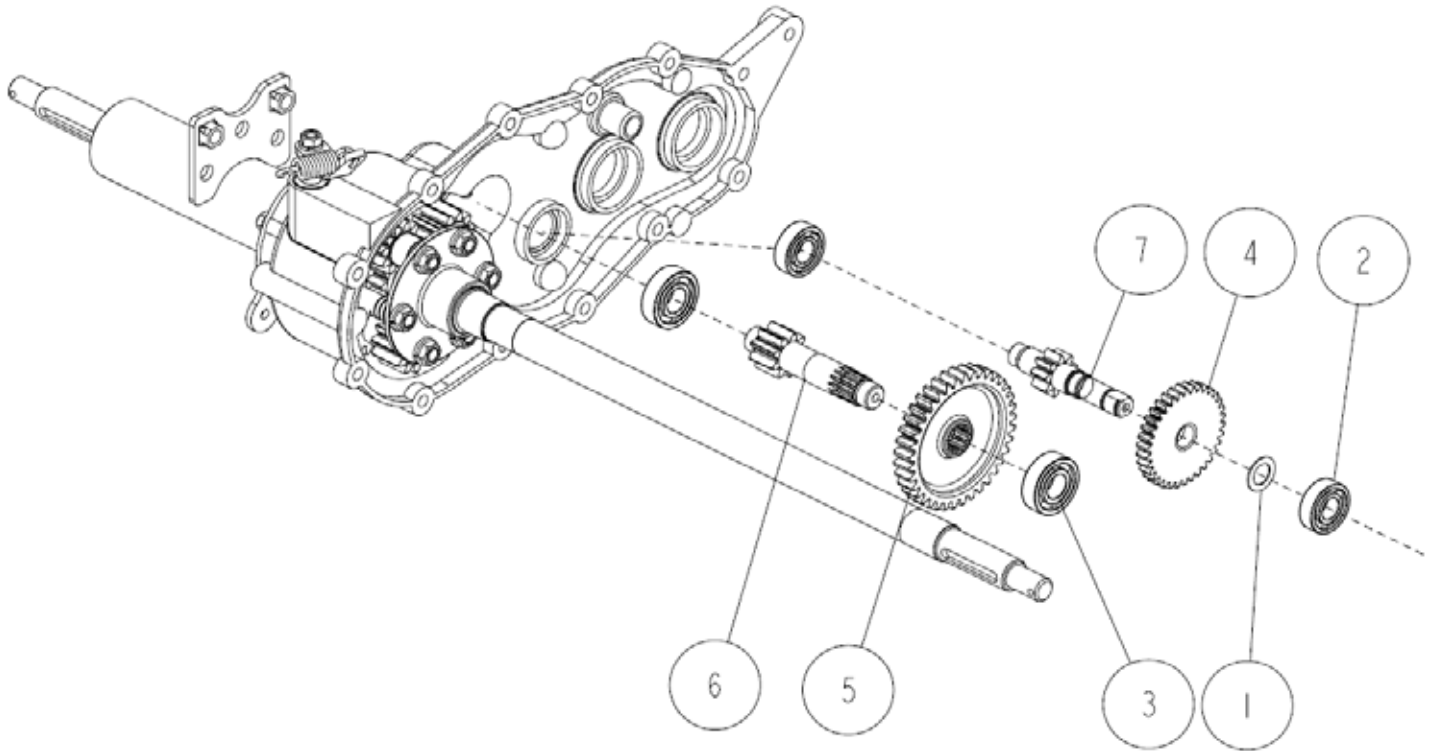
Ref.	Parts Number	Parts Name	Quantity	Remarks
1	83-1482-311-00	Washer 6.5*22*3.2	1	
2	89-1113-060202	Hexagonal Bolt (8T) M6*20	1	
3	89-1543-080002	Mini Hexagonal Nut (SW) M8	1	
4	89-1750-060002	Spring Washer 6	1	
5	89-5121-122207	Oil Seal UE 12.22.7	1	
6	89-5121-153007	Oil Seal UE 15.30.7	1	
7	0207-06100	Air Bleezer	1	
8	0207-40200	Transmission Pulley	1	
9	0215-00100	Driving Clutch Arm	1	
10	0289-01000	Oil Plug Assy (with O Ring)	1	



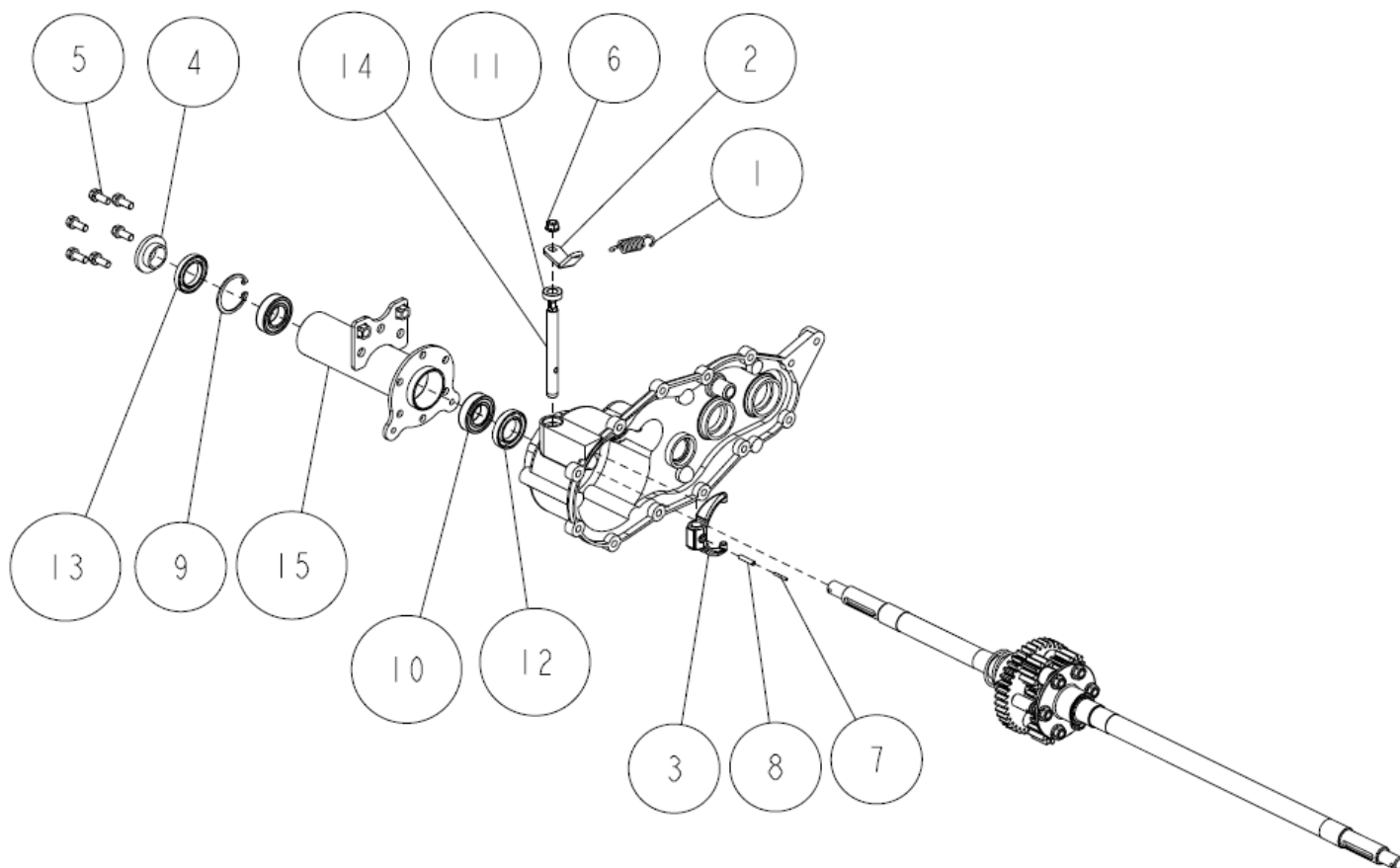
Ref.	Parts Number	Parts Name	Quantity	Remarks
1	80-1310-138-00	Spring 1.4	1	
2	83-1020-148-00	Tapping Bolt M6*14	2	
3	83-1415-671-00	Blind Cover 22	1	
4	83-1482-143-00	Tapping Bolt M8*25	12	
5	89-2150-050160	Key 5*16 (round)	1	
6	89-2151-050200	Key 5*20 (half round)	1	
7	89-2511-000170	Snap Ring (S17)	1	
8	89-2512-000420	Snap Ring (R42)	1	
9	89-3115-060044	Bearing 6004 2RS	2	
10	89-3410-080000	Steel Ball 8.0	1	
11	89-5121-204208	Oil Seal UE 20.42.8	1	
12	0207-00100	Transmission Case (L)	1	
13	0207-00400	20T Spiral Mita Gear (L)	1	
14	0207-01700	Swing Arm CMP	1	
15	0207-01900	Shift Spring Holder	1	
16	0281-00300	A Axle	1	



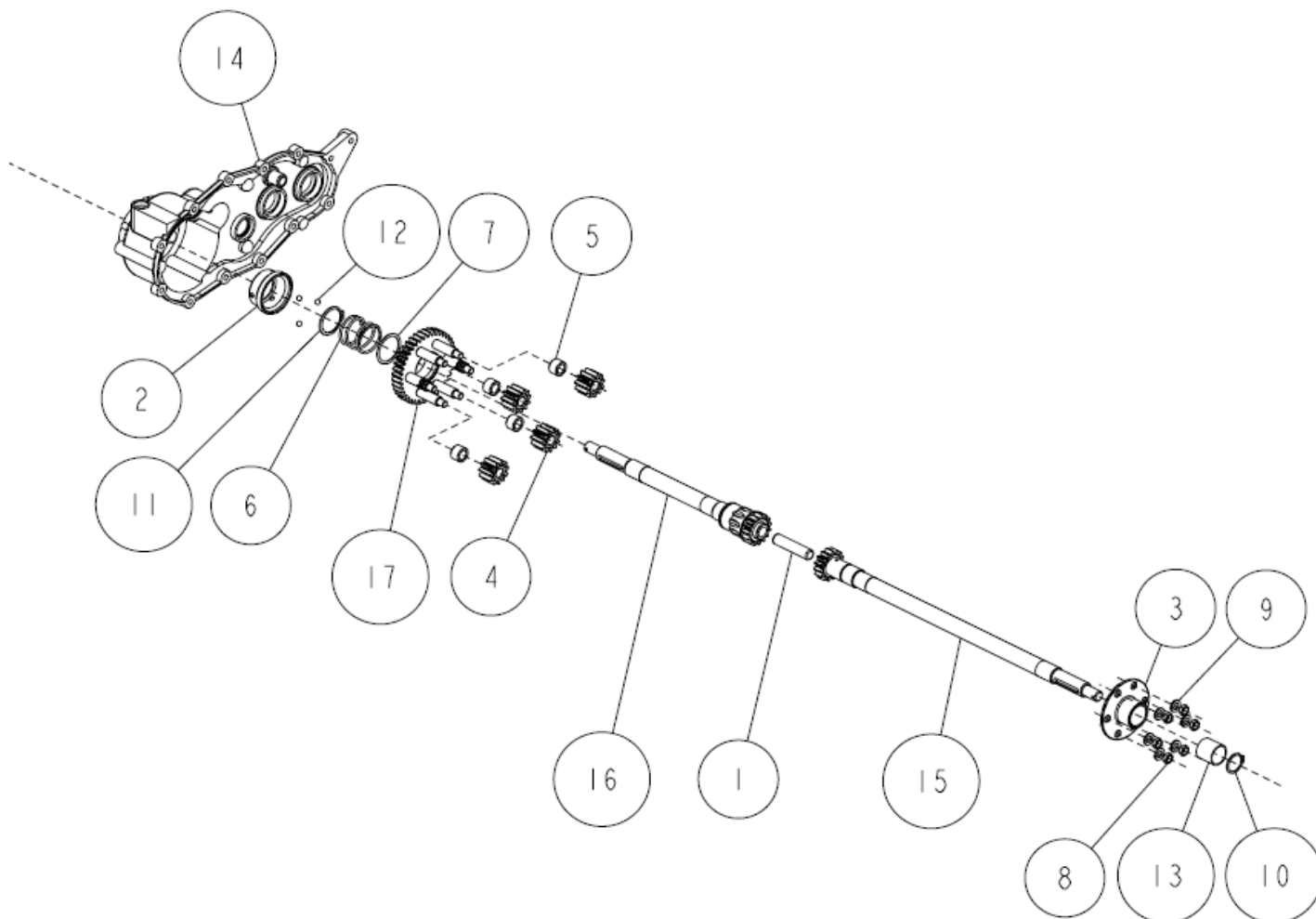
Ref.	Parts Number	Parts Name	Quantity	Remarks
1	83-1415-671-00	Blind Cover 22	1	
2	89-3111-060044	Bearing 6004	4	
3	0207-00500	20T Spiral Mita Gear (R)	1	
4	0207-00700	C Axle	1	
5	0207-01600	Shift Fork Shaft CMP	1	
6	0215-00400	Shift Gear 28	1	
7	0215-00500	C Axle Collar 26	1	
8	0227-00100	B Axle	1	



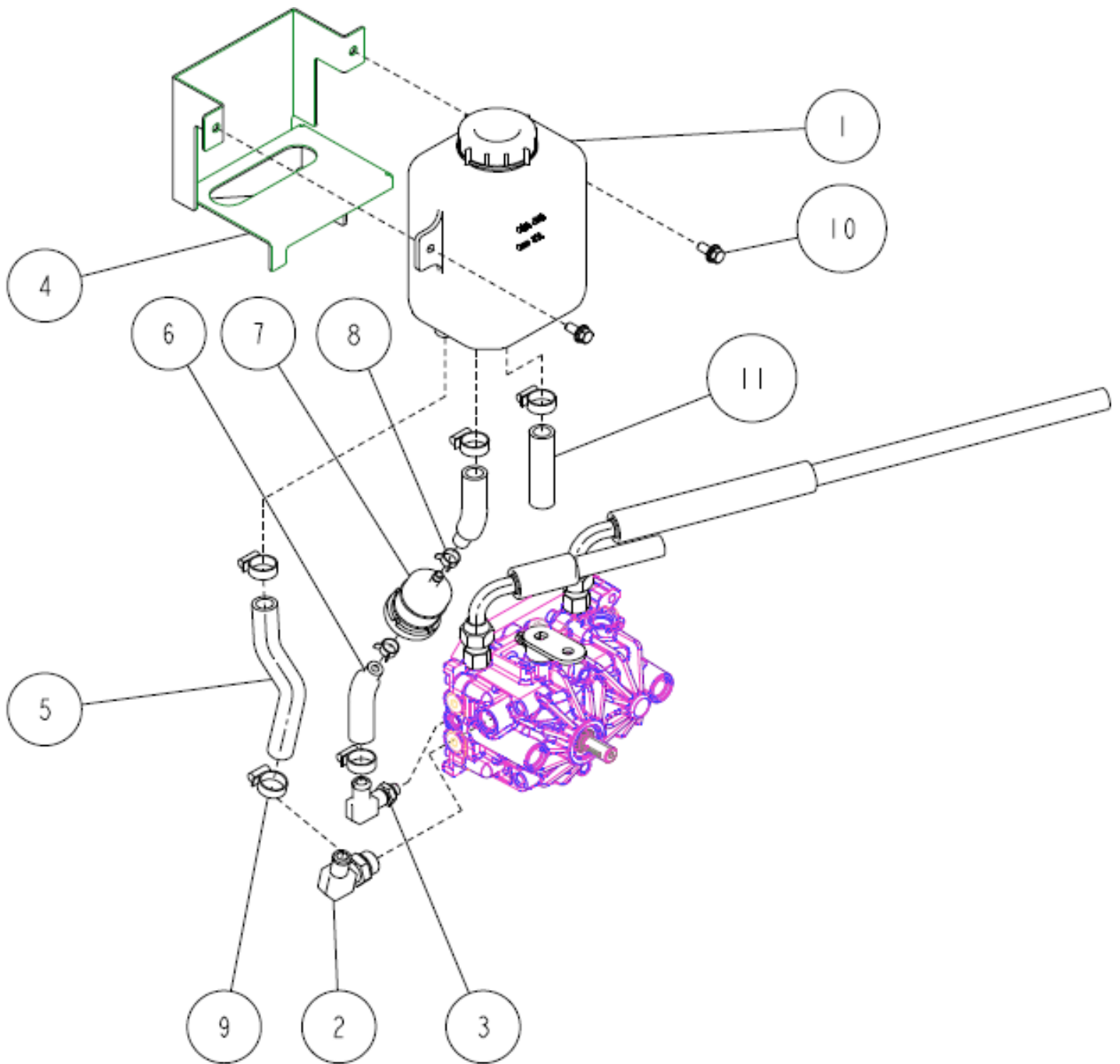
Ref.	Parts Number	Parts Name	Quantity	Remarks
1	83-1020-361-00	Thrust Washer 15*24*1.0	1	
2	89-3111-062024	Bearing 6202	2	
3	89-3111-062034	Bearing 6203	2	
4	0207-01310	Brake Shaft 34T Gear	1	
5	0207-01400	D Axle 37T Gear	1	
6	0207-02700	D Axle	1	
7	0215-00300	Brake Shaft	1	



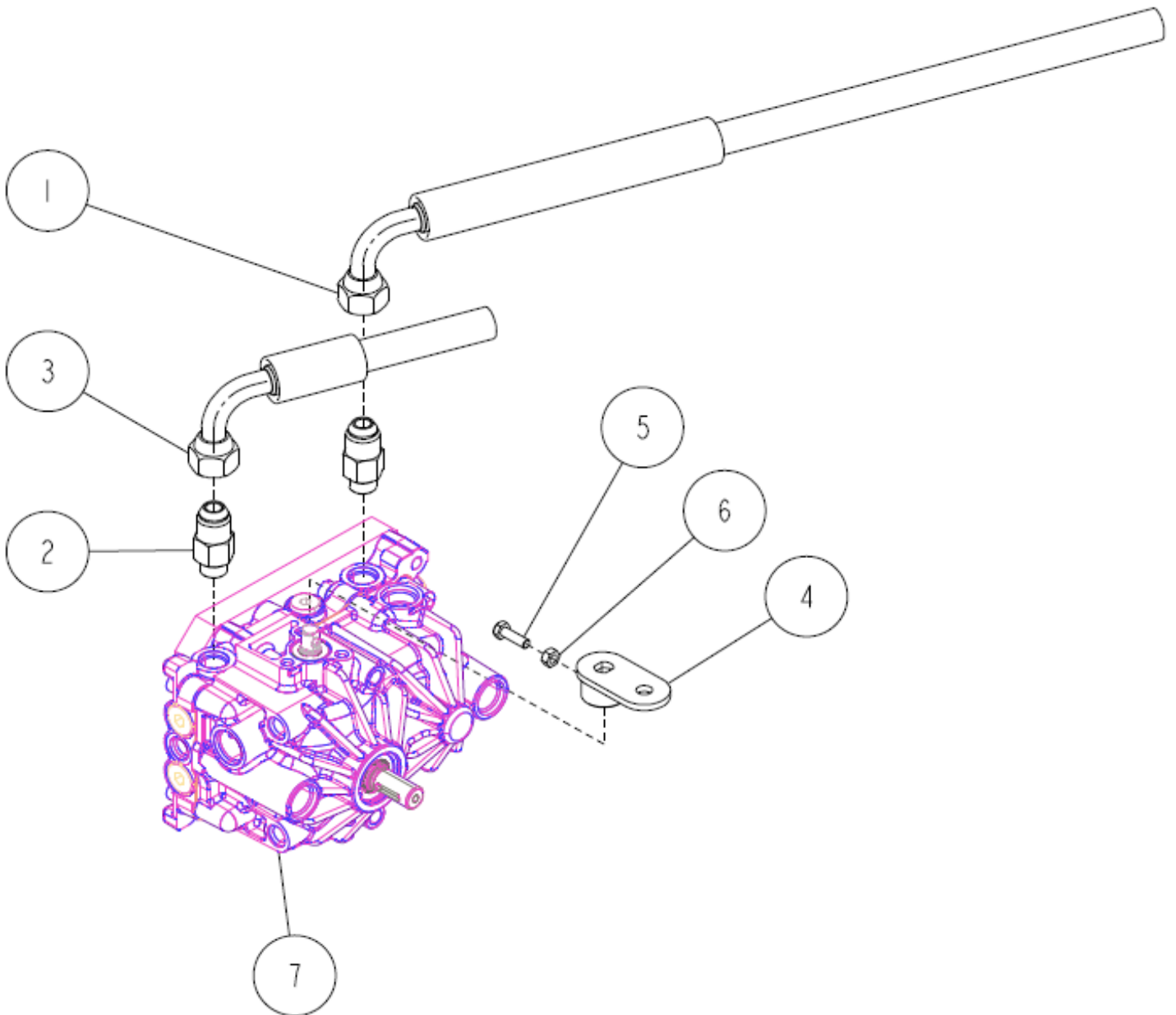
Ref.	Parts Number	Parts Name	Quantity	Remarks
1	80-1425-551-00	Differential Lock Spring	1	
2	80-1488-153-00	Differential Lock Arm	1	
3	80-1830-113-00	Differential Lock Fork	1	
4	83-1415-663-00	Oil Seal AP 30.47.7	1	
5	89-1232-080202	Mini Hexagonal Bolt (SW) M8*20	6	
6	89-1543-080002	Mini Hexagonal Nut (SW) M8	1	
7	89-2111-030020	Spring Pin 3*20	1	
8	89-2111-050022	Spring Pin 5*22	1	
9	89-2512-000470	Snap Ring (R47)	1	
10	89-3115-060054	Bearing 6005 2RS	2	
11	89-5121-122207	Oil Seal UE 12.22.7	1	
12	89-5121-284708	Oil Seal UE 28.47.8	1	
13	89-5121-304707	Oil Seal UE 30.47.7	1	
14	0207-01800	Differential Lock Fork Shaft	1	
15	0244-01200	Axle Case (R) CMP	1	



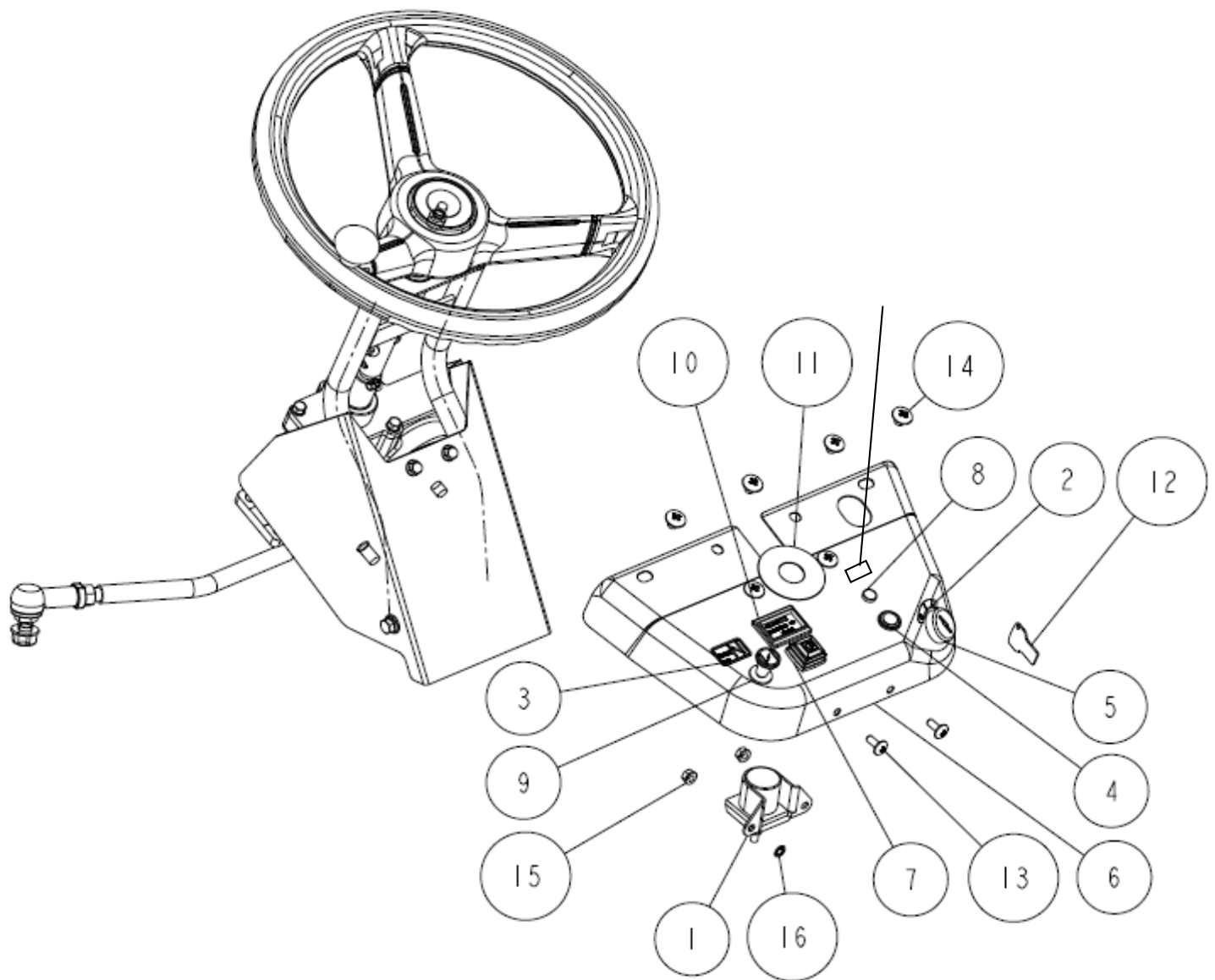
Ref.	Parts Number	Parts Name	Quantity	Remarks
1	80-1415-150-00	Axle Pin	1	
2	80-1425-143-00	Differential Lock Cone	1	
3	80-1481-151-00	Differential Lock Plate	1	
4	80-1481-152-00	Differential Lock Gear 11T	4	
5	80-1481-155-00	Differential Gear Shaft Collar	4	
6	80-1751-162-00	Differential Lock Spring	1	
7	83-1830-382-00	Thrust Washer 40*48*1.0	1	
8	89-1613-100042	Mini Hexagonal Nut (3 sorts) M10	6	
9	89-1750-100002	Spring Washer 10	6	
10	89-2511-000280	Snap Ring (S28)	1	
11	89-2511-000400	Snap Ring (S40)	1	
12	89-3410-075000	Steel Ball 7.5	3	
13	89-3510-028300	DU Bush 28.30	1	
14	0207-00200	Transmission Case (R)	1	
15	0207-02120	Axle (L) CMP	1	
16	0207-02220	Axle (R) CMP	1	
17	0207-02800	Axle Gear CMP	1	



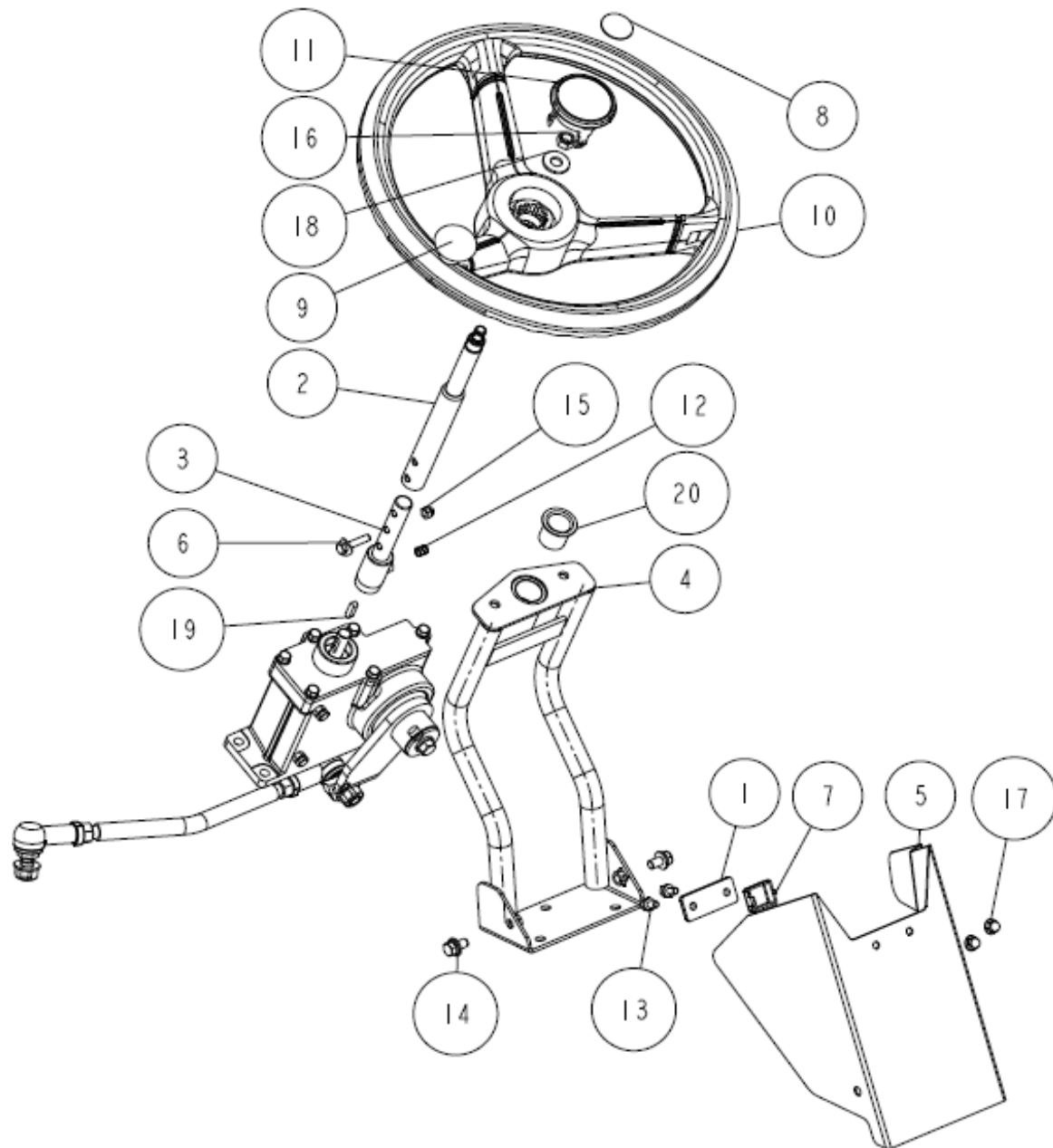
Ref.	Parts Number	Parts Name	Quantity	Remarks
1	0227-00200	HST Oil Tank (RM980F)	1	
2	0227-01400	Port Joint 7/8-14UNF	1	
3	0227-01500	Port Joint G1/4	1	
4	0227-02400	HST Oil Tank Setting (RM980F)	1	
5	0227-02600	HST Hose	1	
6	0227-02700	HST Hose (Oil Filter)	2	
7	0227-02800	Oil Filter	1	
8	0227-03100	Hose Clip 17	2	
9	0228-70200	Hose Band 24	5	
10	89-1233-080202	Mini Hexagonal Bolt (PWSW) M8*20	2	
11	0227-00600	HST Hose	1	



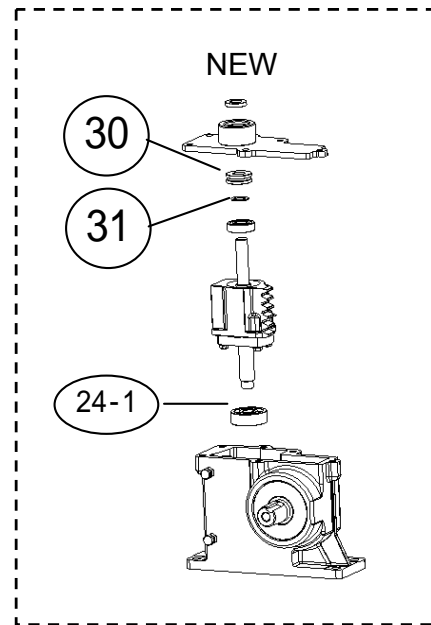
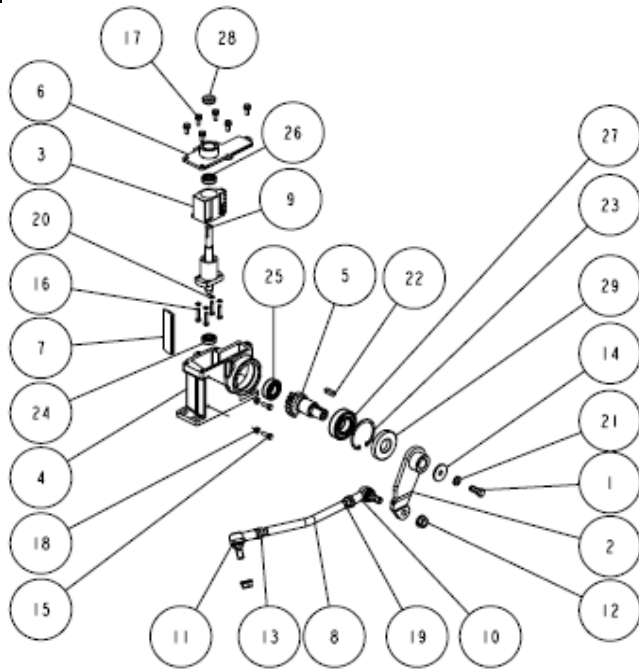
Ref.	Parts Number	Parts Name	Quantity	Remarks
1	0227-00400	Oil Pressure Hose 1590L	1	
2	0227-00700	Oil Pressure Hose Joint	2	
3	0227-01300	Oil Pressure Hose 1670L	1	
4	0227-02100	Control Arm CMP	1	
5	89-1113-060202	Hexagonal Bolt (8T) M6*20	1	
6	89-1511-060042	Hexagonal Nut M6	1	
7	0227-09000	HST Unit Assy (RM980F)	1	



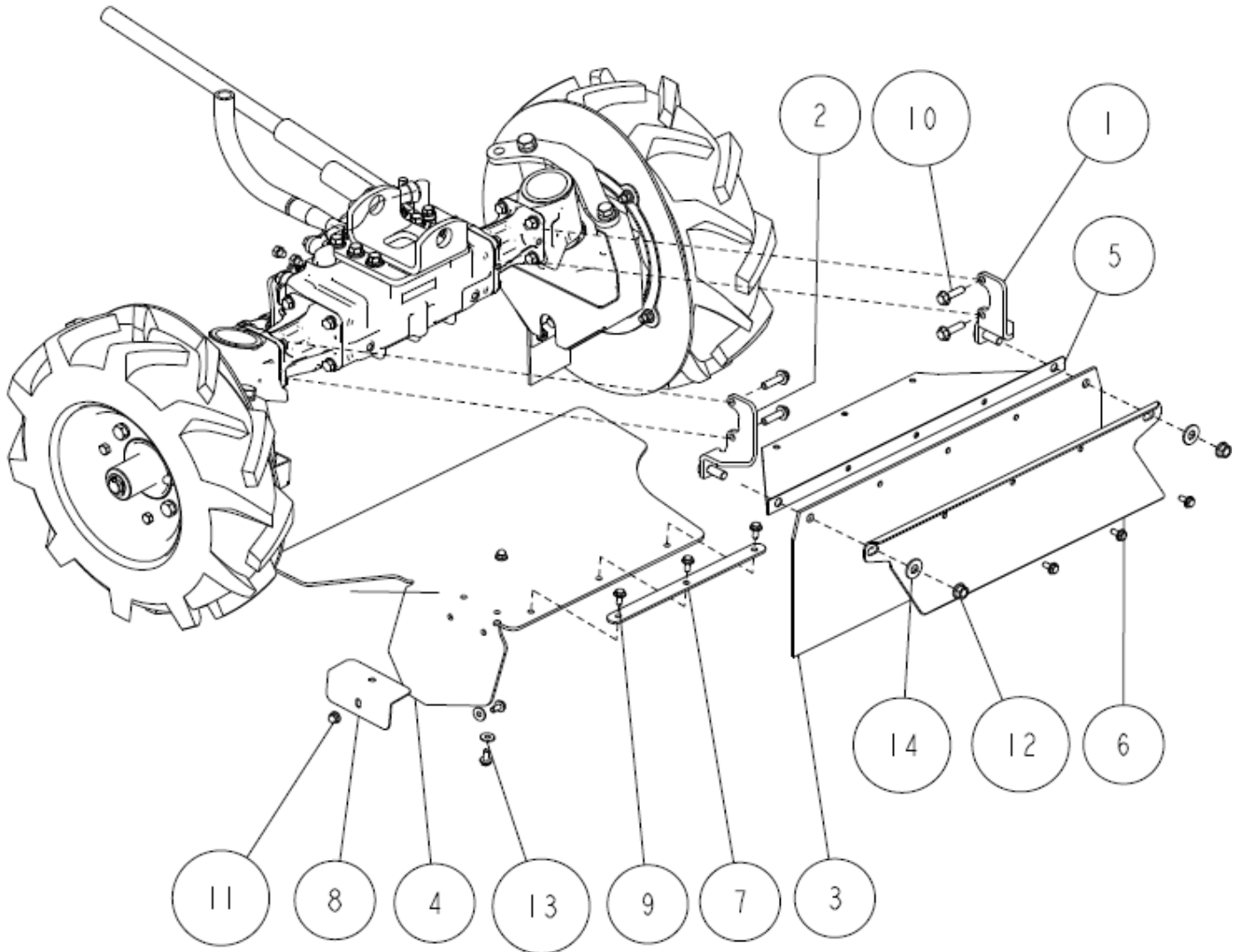
Ref.	Parts Number	Parts Name	Quantity	Remarks
1	80-1483-978-00	Magnetic Switch (MS2-401)	1	
2	80-1488-912-00	Label, Key (13121)	1	
3	80-1488-924-00	Label, Choke (13118)	1	
4	0207-79300	Pilot Lamp	1	
5	0207-79700	Key Switch (NMA03-A020)	1	
6	0244-15100	Control Panel (B&S)	1	
7	0244-70300	Lighting Switch	1	
8	0244-70400	Lamp, Caution for Engine Oil	1	
9	0244-72600	Choke Wire B	1	
10	0244-73600	Hour Meter	1	
11	0244-75400	Blind Washer	1	
12	0244-75600	Key Plate	1	
13	89-1159-060168	Truss Mini Screw M6*16	2	
14	89-1159-080108	Truss Mini Screw M8*10	6	
15	89-1541-060002	Hexagonal Nut (SW) M6	2	
16	89-1812-060002	Toothed washer (inside) 6	1	
17	0259-80600	Label, Caution for Engine Oil (13258)	1	



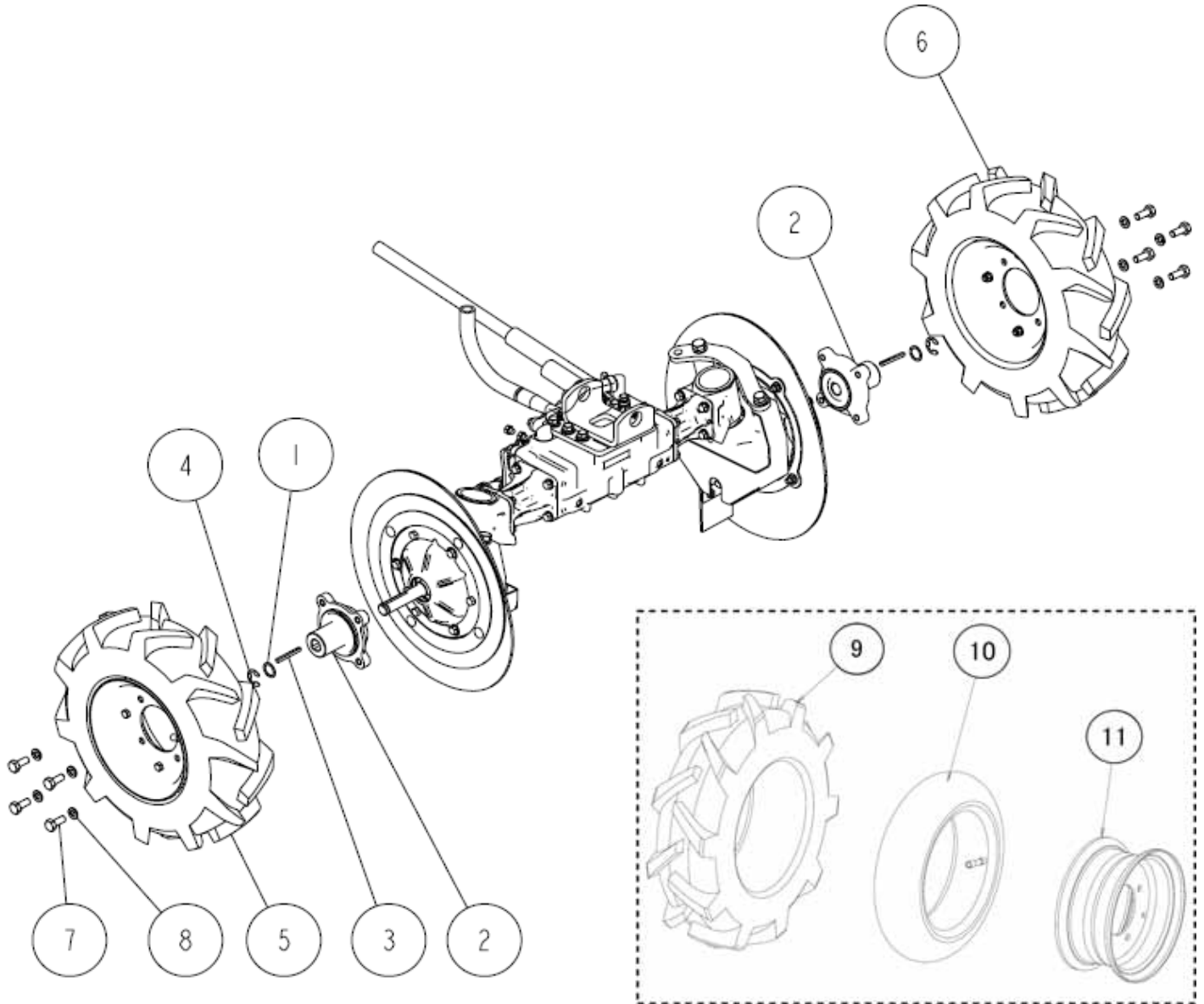
Ref.	Parts Number	Parts Name	Quantity	Remarks
1	0207-79200	Fuse Box Bracket	1	
2	0227-10400	Steering Upper Shaft CMP	1	
3	0227-10500	Steering Lower Shaft CMP	1	
4	0227-21100	Steering Support CMP	1	
5	0227-82200	Gear Box Cover	1	
6	0244-75800	Bolt for Upper Shaft Setting	1	
7	0244-77900	Fuse Box Cover	1	
8	0244-80700	Label, Handle (Blue)	1	
9	0262-70300	Sub Handle Assy	1	
10	0262-70400	Steering Wheel	1	
11	0262-70500	Steering Cap	1	
12	83-1493-149-00	Hexagonal Screw M8*10	1	
13	89-1132-060122	Hexagonal Bolt (SW) M6*12	2	
14	89-1233-080162	Mini Hexagonal Bolt (PWSW) M8*16	2	
15	89-1553-060002	Bag Hexagonal U Nut M6	1	
16	89-1561-100002	Mini Hexagonal U Nut M10	1	
17	89-1581-060042	Flange Cap Nut M6	2	
18	89-1713-100002	Flat Washer 10 (large)	1	
19	89-2150-050200	Key 5*20 (round)	1	
20	89-3511-022250	DU Bush 22.25.33F	1	



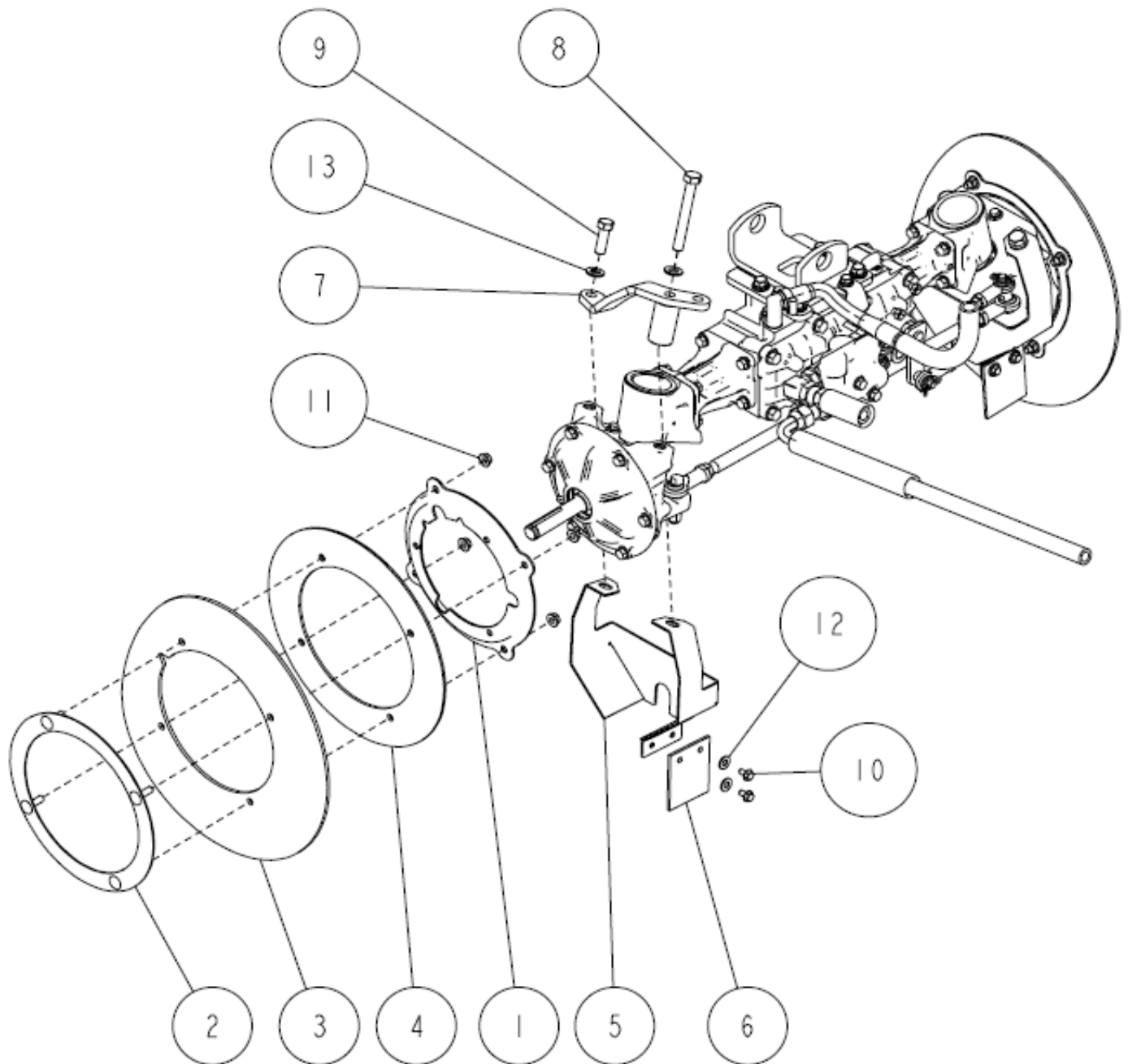
Ref.	Parts Number	Parts Name	Quantity	Remarks
1	0212-72100	Hexagonal Bolt(8T) M10*25(Meck)	1	Remark 1
2	0227-10610	Steering Arm CMP	1	Remark 1
3	0227-31400	Steering Rack	1	
4	0227-31500	Steering Gear Box A (OLD)	1	*2)
	0227-31510	Steering Gear Box A (NEW)	1	*3)
5	0227-31610	Steering Gear CMP	1	
6	0227-31700	Steering Box Cover CMP (OLD)	1	*2)
	0227-31710	Steering Box Cover CMP (NEW)	1	*3)
7	0227-31800	Adjust Plate	1	
8	0227-32100	Tie Rod Adjuster	1	Remark 1
9	0227-32500	Ball Screw	1	
10	0244-71700	Link Ball 12 (R)	1	Remark 1
11	0244-71800	Link Ball 12 (L)	1	Remark 1
12	0244-71900	Tough Lock Nut M12=P1.25	2	Remark 1
13	0244-73800	Hexagonal Nut (slender) M12 Left	1	Remark 1
14	83-1610-324-00	Washer 10*36*3.2	1	Remark 1
15	89-1111-060202	Hexagonal Bolt M6*20	2	
16	89-1113-050252	Hexagonal Bolt (8T) M5*25	4	
17	89-1138-060162	Hexagonal Bolt (SW) M6*16	6	
18	89-1511-060042	Hexagonal Nut M6	2	
19	89-1612-120042	Mini Hexagonal Nut (Slender) M12	1	Remark 1
20	89-1750-050002	Spring Washer 5	4	Remark 1
21	89-1750-100002	Spring Washer 10	1	
22	89-2151-070240	Key 7*24 (half round)	1	
23	89-2512-000620	Snap Ring (R62)	1	
24	89-3111-060014	Bearing 6001	1	*2)
24-1	89-3111-063014	Bearing 6301	1	*3)
25	89-3111-060044	Bearing 6004	1	
26	89-3115-060014	Bearing 6001 2RS	1	
27	89-3115-062064	Bearing 6206 2RS	1	
28	89-5121-122507	Oil Seal UE 12.25.7	1	*2)
28-1	89-5130-122204	Oil Seal KE 12.22.4	1	*3)
29	89-5121-306210	Oil Seal UE 30.62.10	1	
30	89-3370-051101	Thrust Bearing 51101	1	*3)
31	0208-71100	Thrust Washer 12*18*1.0	1	*3)
	0227-35000	Steering Gear Box Assy	1	Excluding items in Remark 1



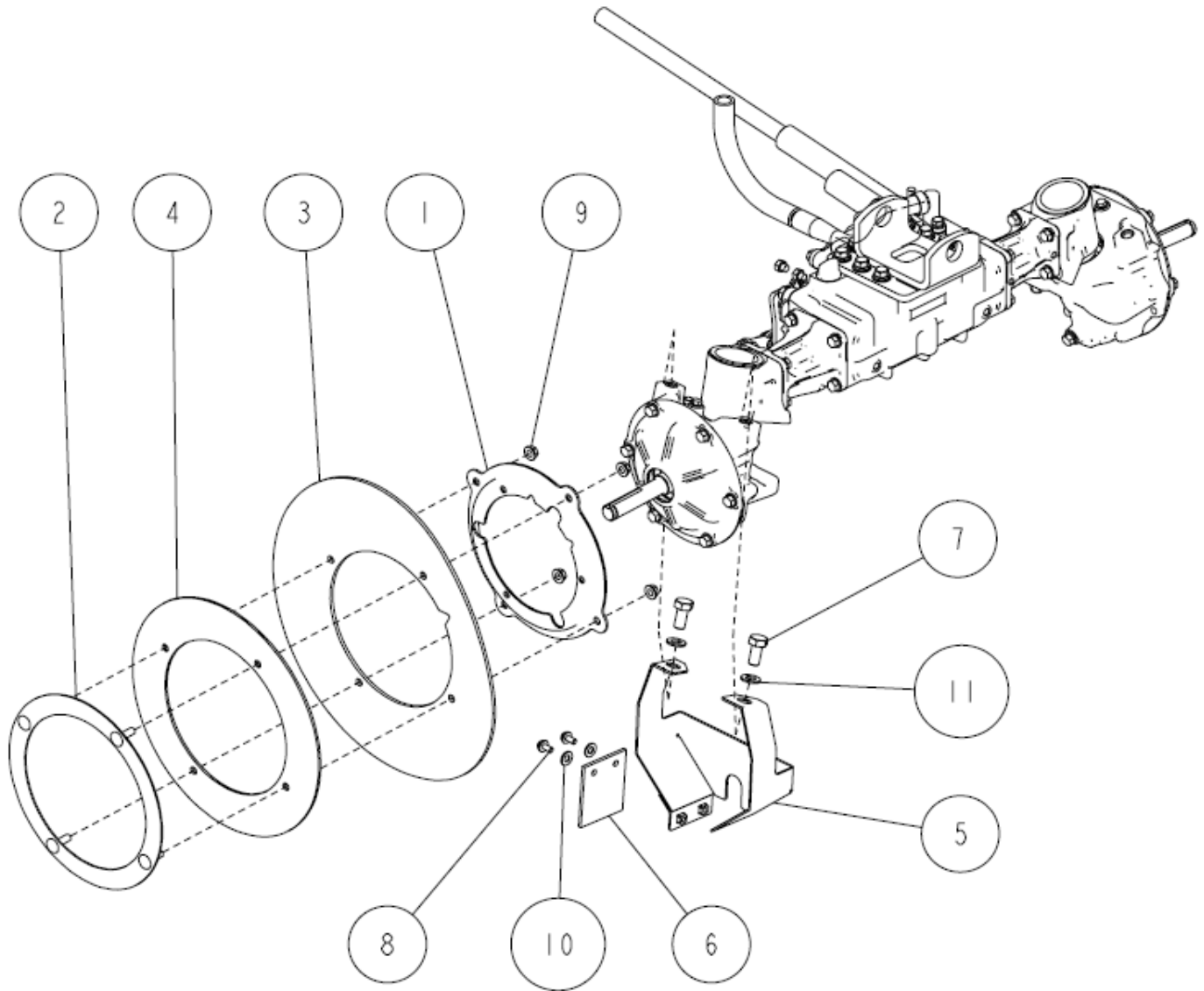
Ref.	Parts Number	Parts Name	Quantity	Remarks
1	0227-31100	Front Flapper Stay (L) CMP	1	
2	0227-31200	Front Flapper Stay (R) CMP	1	
3	0227-60100	Front Flapper	1	
4	0227-60310	Upper Flapper	1	
5	0227-60400	Front Upper Guard CMP	1	
6	0227-81200	Front Foot Guard	1	
7	0244-61700	Upper Flapper Holder	1	
8	0284-53200	Upper Flapper Holder (R)	1	
9	89-1137-060152	Hexagonal Bolt (PW) M6*15	8	
10	89-1253-080302	Flange Mini Hexagonal Bolt (8T) M8*30	4	
11	89-1581-060042	Flange Cap Nut M6	2	
12	89-1631-100042	Flange Mini Hexagonal Nut M10	2	
13	89-1713-060002	Flat Washer 6 (large)	2	
14	89-1713-100002	Flat Washer 10 (large)	2	



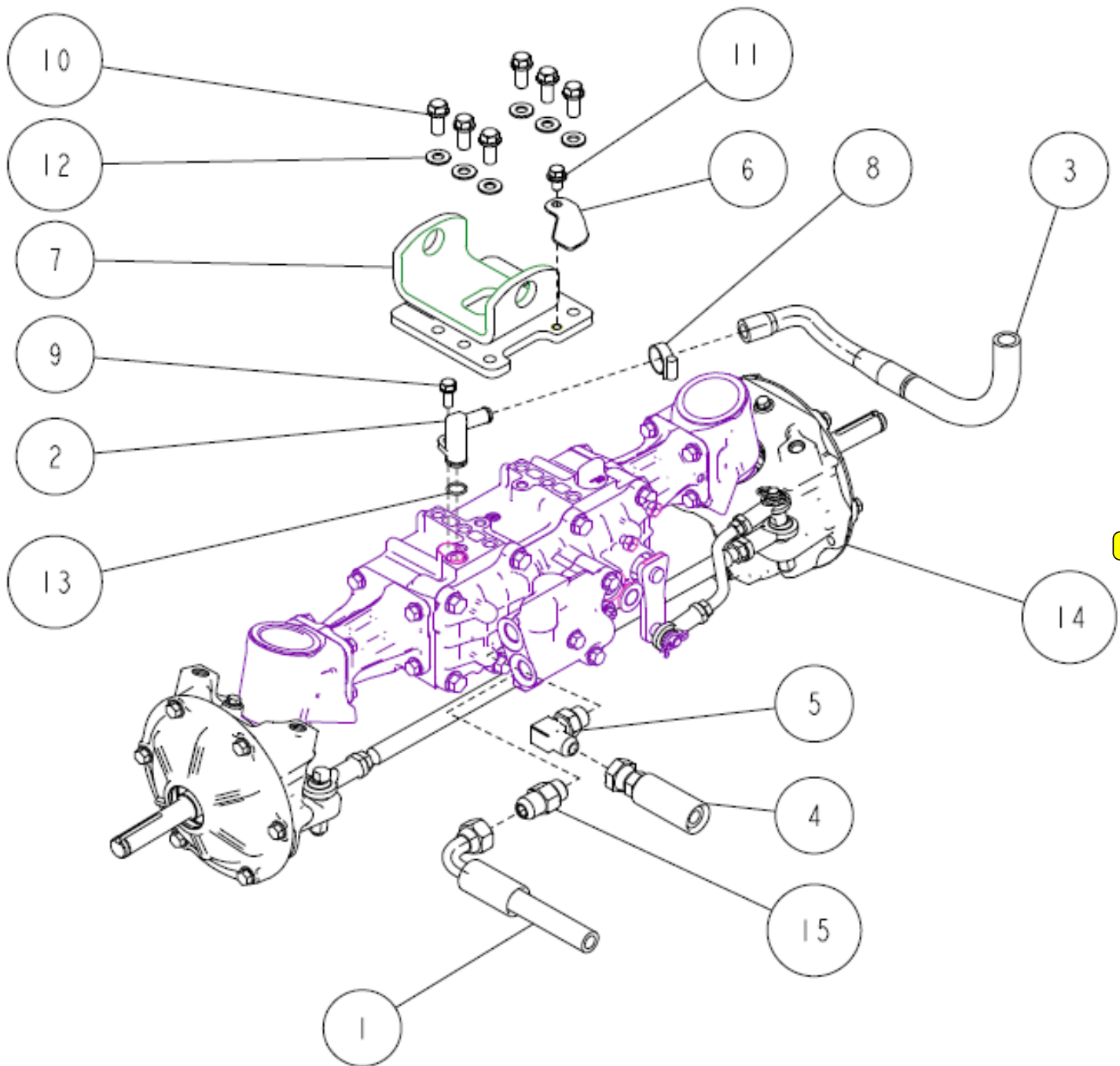
Ref.	Parts Number	Parts Name	Quantity	Remarks
1	0010-71500	Thrust Washer 19*25*1.0	2	
2	0227-30110	Front Wheel Boss	2	
3	0227-32300	Key 3/16*3/16*50	2	
4	0227-32400	Snap Ring (S) (RM980F)	2	
5	0244-79110	Front Wheel Tire (R) Assy (400-7)	1	
6	0244-79210	Front Wheel Tire (L) Assy (4.00-7)	1	
7	89-1113-100252	Hexagonal Bolt (8T) M10*25	8	
8	89-1750-100002	Spring Washer 10	8	
9	0244-79310	Tire (4.00-7)	2	
10	80-1260-404-00	Tire Tube 3.50-7	2	
11	80-1260-407-00	Wheel Assy 3.50-7	2	



Ref.	Parts Number	Parts Name	Quantity	Remarks
1	0227-30210	Front Wheel Rubber Cover Installation	1	
2	0227-30300	Front Wheel Rubber Cover Holder CMP	1	
3	0227-30400	Front Wheel Rubber Cover	1	
4	0227-30500	Front Wheel Rubber Cover (IN)	1	
5	0227-30700	Front Axle Cover (L) CMP	1	
6	0227-30800	Axle Cover Flapper	1	
7	0227-30900	Steering Knuckle Arm CMP	1	
8	89-1111-120952	Hexagonal Bolt M12*95	1	
9	89-1213-120352	Mini Hexagonal Bolt (8T) M12*35	1	
10	89-1251-060122	Flange Mini Hexagonal Bolt M6*12	2	
11	89-1631-080042	Flange Mini Hexagonal Nut M8	4	
12	89-1711-080002	Flat Washer 8	2	
13	89-1711-120002	Flat Washer 12	2	



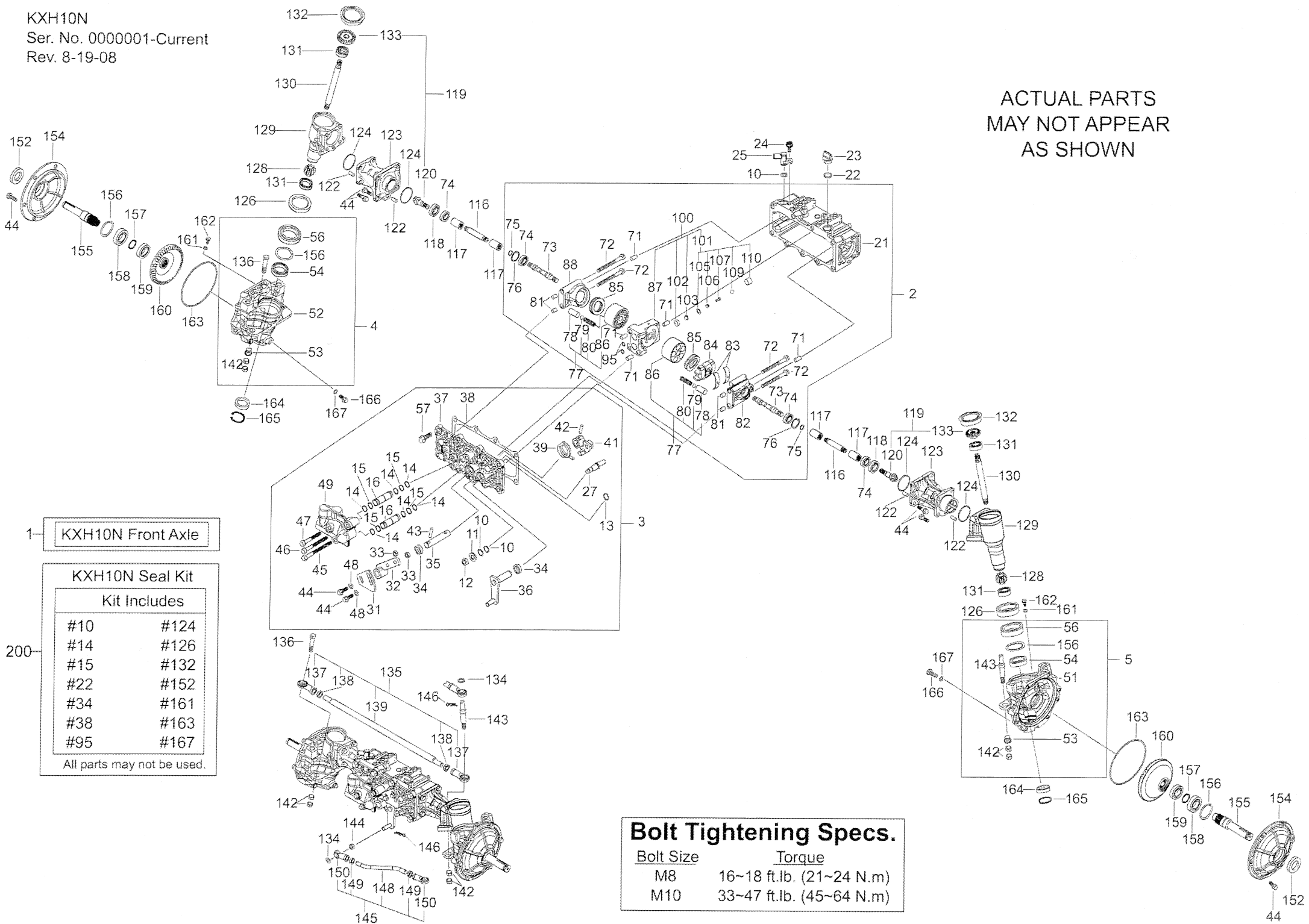
Ref.	Parts Number	Parts Name	Quantity	Remarks
1	0227-30210	Front Wheel Rubber Cover Installation	1	
2	0227-30300	Front Wheel Rubber Cover Holder CMP	1	
3	0227-30400	Front Wheel Rubber Cover	1	
4	0227-30500	Front Wheel Rubber Cover (IN)	1	
5	0227-30600	Front Axle Cover (R) CMP	1	
6	0227-30800	Axle Cover Flapper	1	
7	89-1111-120252	Hexagonal Bolt M12*25	2	
8	89-1251-060122	Flange Mini Hexagonal Bolt M6*12	2	
9	89-1631-080042	Flange Mini Hexagonal Nut M8	4	
10	89-1711-080002	Flat Washer 8	2	
11	89-1711-120002	Flat Washer 12	2	



Ref.	Parts Number	Parts Name	Quantity	Remarks
1	0227-00400	Oil Pressure Hose 1590L	1	
2	0227-00500	Hose Joint	1	
3	0227-00600	HST Hose	1	
4	0227-01300	Oil Pressure Hose 1670L	1	
5	0227-01600	Adjustable Elbow	1	
6	0227-01700	Hose Holder	1	
7	0227-31300	Front Axle Holder CMP	1	
8	0228-70200	Hose Band 24	1	
9	89-1232-080202	Mini Hexagonal Bolt (SW) M8*20	1	
10	89-1232-100252	Mini Hexagonal Bolt (SW) M10*25	6	
11	89-1233-080162	Mini Hexagonal Bolt (PWSW) M8*16	1	
12	89-1714-100002	Flat Washer 10	6	
13	89-5221-014000	O Ring P14	1	
14	0227-01200	Front Unit Assy (KXH10N)	1	
15	0227-00800	Joint 3-4-16UNF	1	

KXH10N
 Ser. No. 0000001-Current
 Rev. 8-19-08

ACTUAL PARTS
 MAY NOT APPEAR
 AS SHOWN



1 KXH10N Front Axle

200

KXH10N Seal Kit	
Kit Includes	
#10	#124
#14	#126
#15	#132
#22	#152
#34	#161
#38	#163
#95	#167

All parts may not be used.

Bolt Tightening Specs.	
Bolt Size	Torque
M8	16~18 ft.lb. (21~24 N.m)
M10	33~47 ft.lb. (45~64 N.m)

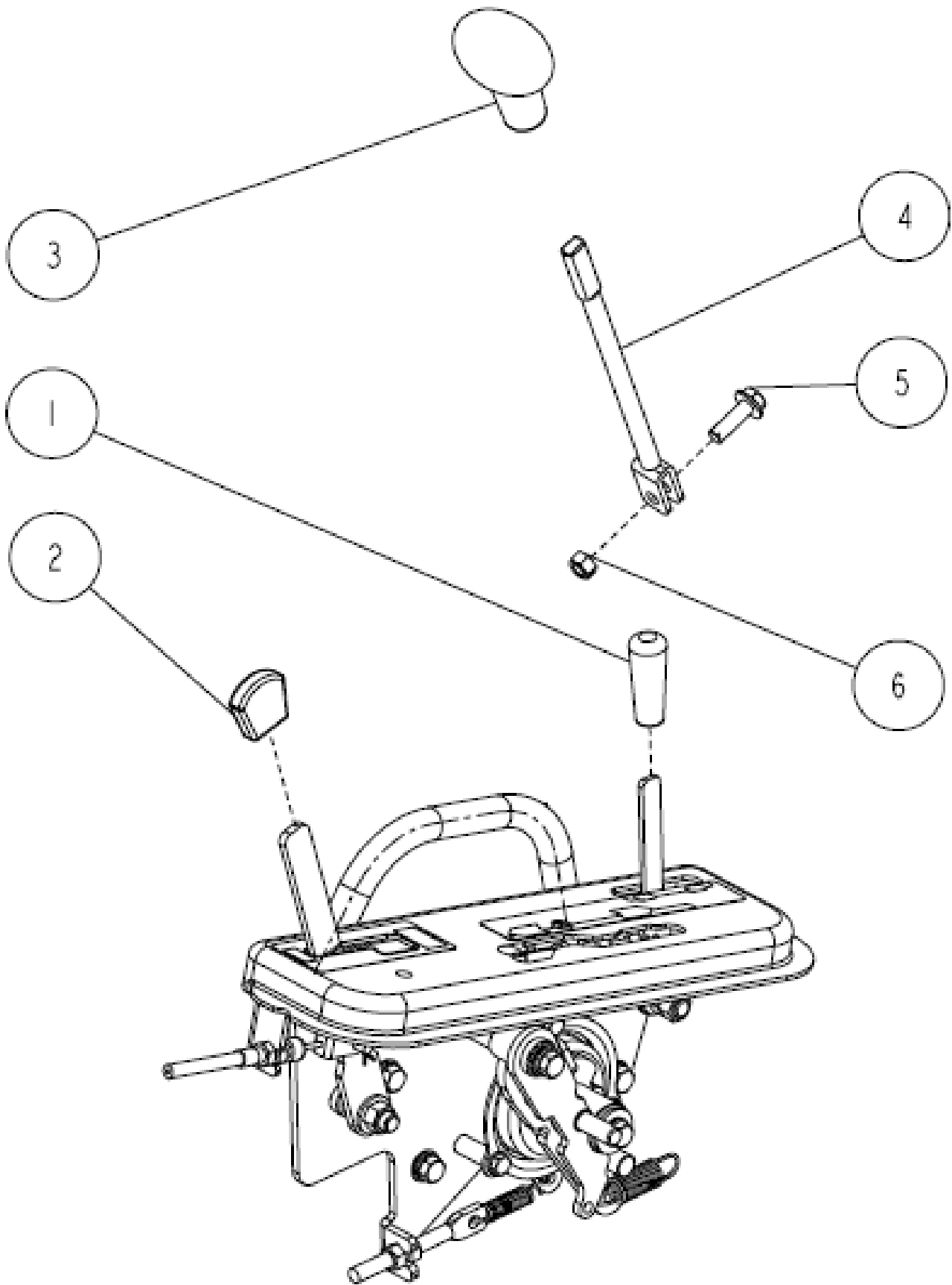
Print Parts List

ITEM NO.	TUFF TORQ P/N	DESCRIPTION	U/M
	168T2099500	5W50 SYNTHETIC OIL (LITER)	EA
1	787N0013010	KXH10N AGS FRONT AXLE	EA
2	187N0099500	MOTOR SET 10CC	EA
3	187N0013100	MOTOR COVER COMPLETE	EA
4	187N0099200	FRONT GEAR BOX LEFT COMPLETE	EA
5	187N0099210	FRONT GEAR BOX RIGHT COMPLETE	EA
10	24311000140	O-RING 1A P14	EA
11	22137120000	WASHER 12	EA
12	26776120002	NUT 12	EA
13	22242000160	SNAP RING	EA
14	24351190150	PACKING P 14.0	EA
15	19215740180	BACK-UP RING	EA
16	187N0013220	JOINT PIPE	EA
21	187N0013701	FRONT AXLE CASE	EA
22	24311000180	O-RING P18	EA
23	19485524290	OIL CAP 20	EA
24	1A632010020	FLANGE BOLT M8 * 20	EA
25	19485624920	ELBOW	EA
27	187N0013260	FULCRUM	EA
31	187N0013190	ADJUST PLATE	EA
32	187N0013250	CONTROL LEVER	EA
33	26716080002	NUT 8	EA
34	19406527270	SEAL TC 162606	EA
35	187N0013180	CONTROL SHAFT	EA
36	187N0013240	CAM LEVER	EA
37	187N0013110	MOTOR COVER	EA
38	187N0013161	GASKET, COVER	EA
39	187N0013230	RETURN SPRING	EA
41	187N0013170	CONTROL ARM	EA
42	22351060025	SPRING PIN 6 * 25	EA
43	22351060032	SPRING PIN 6 * 32	EA
44	187Q0110020	M8 * 25 FLANGE BOLT	EA
45	26106081002	BOLT W/ WASHER 8 * 100	EA
46	187Q0610020	M8*85 FLANGE BOLT	EA
47	26106080652	BOLT 8 * 65	EA
48	22117080000	WASHER 8	EA
49	187N0013200	CONNECTING BLOCK	EA
54	187N0013930	BEARING 6906 C3	EA
56	187N0013950	BEARING 6908 C3	EA

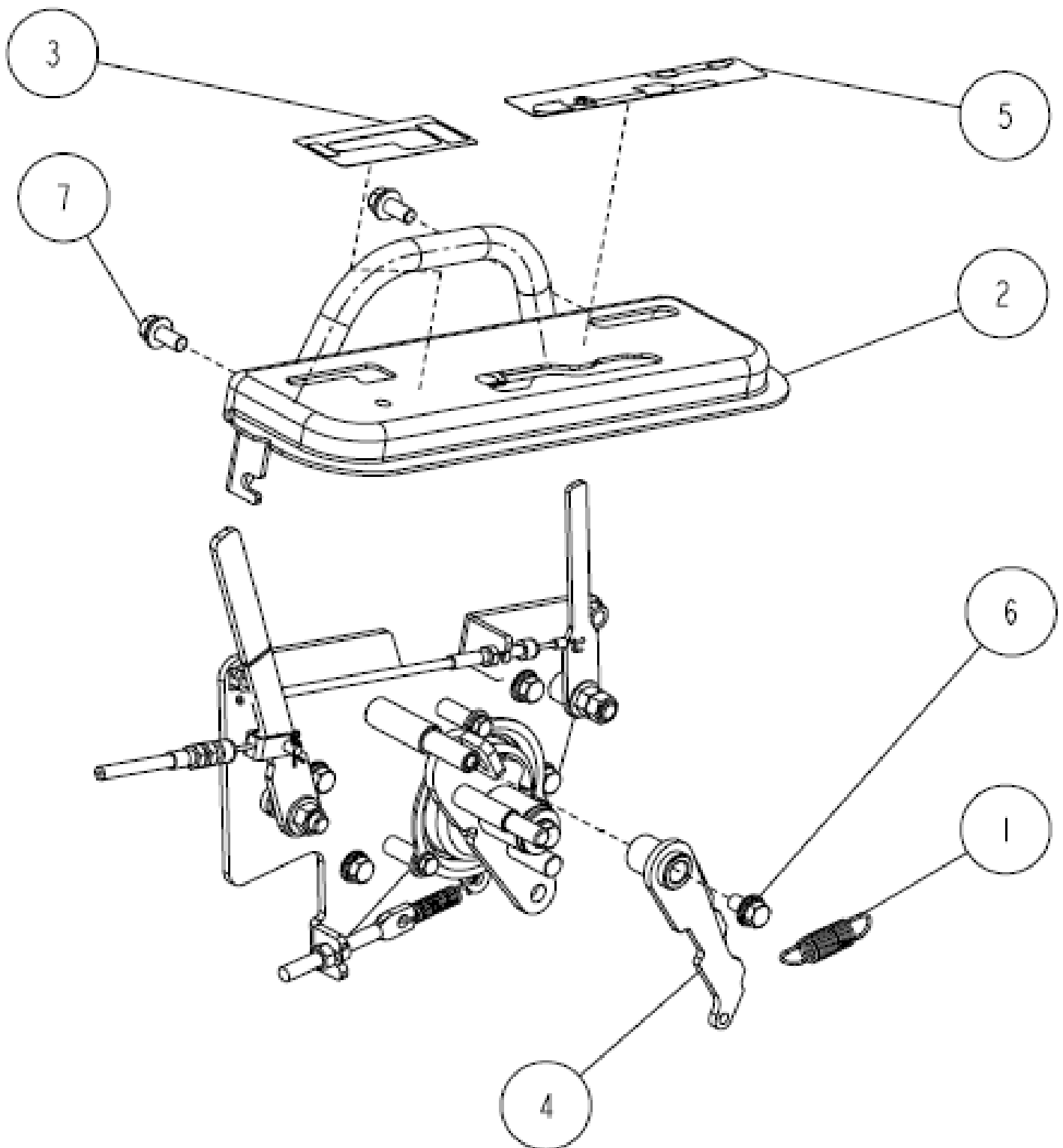
57	26106100302	BOLT 10 * 30	EA
71	22312100180	PIN 10 * 18	EA
72	26106080902	BOLT 8 * 90	EA
73	187N0099540	MOTOR SHAFT	EA
74	187N0013340	BEARING 6001 C3	EA
75	22242000120	SNAP RING 12	EA
76	22252000280	RING 28	EA
77	1A632025510	CYLINDER BLOCK KIT	EA
81	187N0099530	PIN 10 * 13	EA
82	187N0099520	SWASH SUPPORT, RIGHT	EA
83	19216327051	THRUST METAL	EA
84	168T2084700	SWASH PLATE	EA
85	1A646034750	THRUST BEARING 51106	EA
88	187N0099510	SWASH SUPPORT, LEFT	EA
95	24341000100	PACKING S 10.0	EA
100	187N0099550	CENTER CASE 10CC COMPLETE	EA
101	187N0099590	CHECK VALVE COMPLETE	EA
102	187N0099610	COLLAR	EA
103	19215724801	SCREEN	EA
116	187N0013370	JOINT SHAFT N	EA
117	187N0013350	SPLINE COLLAR B	EA
118	187N0013380	BEARING 6002 C3	EA
119	187N0099240	BEVEL GEAR SET	EA
122	22312080160	PIN 8 * 16	EA
123	187N0013500	AXLE FLANGE	EA
124	24321000450	PACKING G 45.0	EA
126	24421466411	SEAL TC466411	EA
128	187N0013410	FINAL PINION GEAR (9T)	EA
129	187N0013800	FRONT GEAR CASE	EA
130	187N0013400	SHAFT, FRONT 2ND	EA
131	187N0013430	BEARING 6003 C3	EA
132	187N0013810	SEAL CAP 56	EA
134	22117100000	WASHER 10	EA
135	187N0012360	TIE ROD COMPLETE N	EA
136	187N0012380	TIE ROD PIN LEFT	EA
142	26716100002	NUT 10	EA
143	187N0012390	TIE ROD PIN RIGHT	EA
144	187N0013630	BUSHING 10	EA
145	187N0013650	STEERING ROD COMPLETE N	EA
146	1C636065700	SNAP PIN 10	EA
152	24421254707	SEAL TC254707	EA
154	187N0014120	FRONT BEARING COVER	EA

155	187N0014100	FRONT AXLE SHAFT	EA
156	22262000470	RING 47	EA
157	22292000240	RING 24	EA
158	187N0014140	BEARING 6005 C3	EA
159	187N0014130	BEARING 6004 C3	EA
160	187N0014110	FINAL GEAR (51T)	EA
161	22190060000	WASHER SEAL 6	EA
162	26106060122	BOLT M 6 * 12 (PLATED)	EA
163	24321001400	PACKING G140.0	EA
164	19816525840	COLLAR 30 * 38 * 4	EA
165	22292000300	RING 30	EA
166	187Q0910140	M8 * 16 FLANGE BOLT	EA
167	22190080000	SEAL WASHER 8	EA
200	187N0099250	SEAL KIT (KXH7N,10N,10NC)	EA

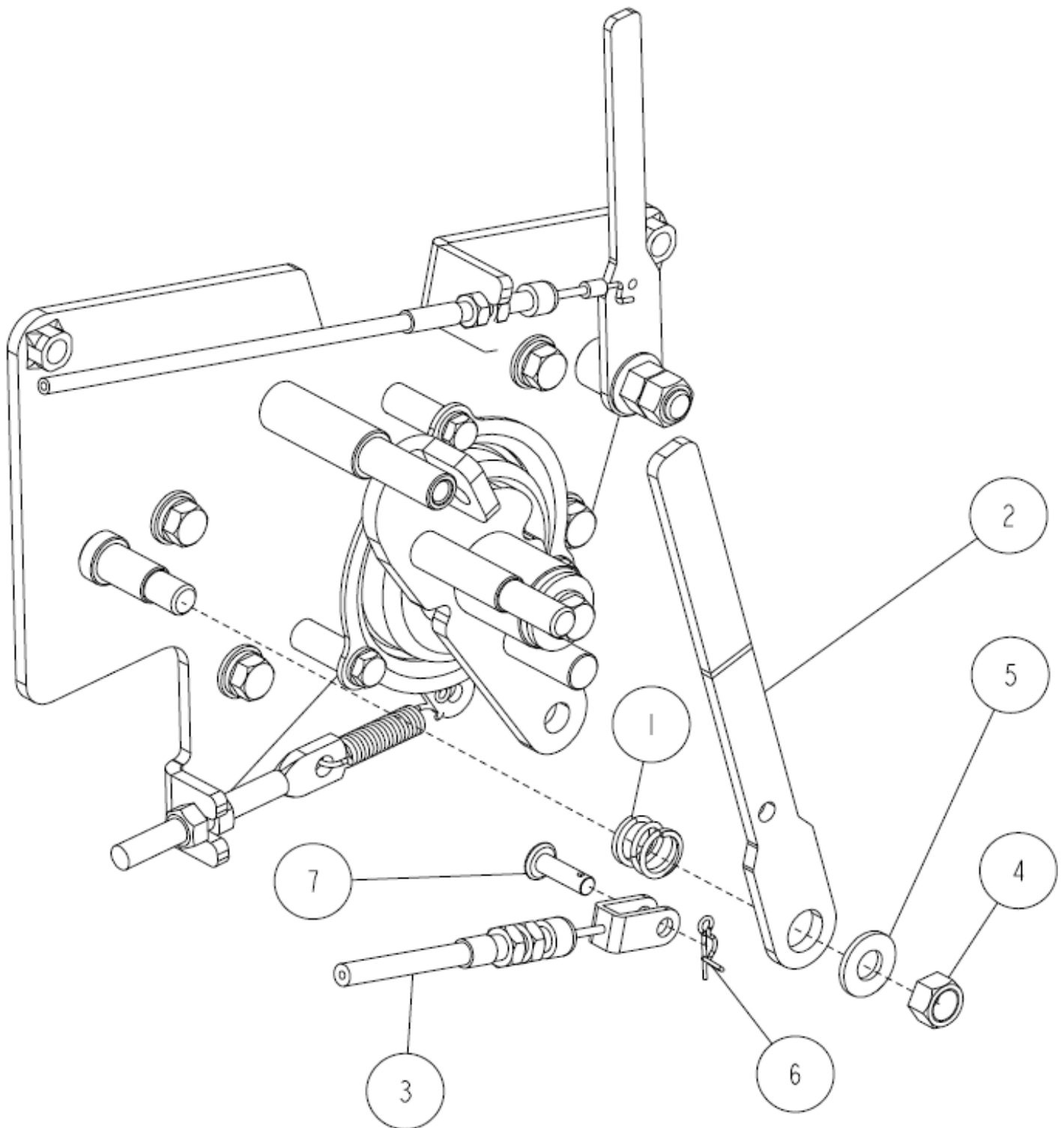
Print Parts List



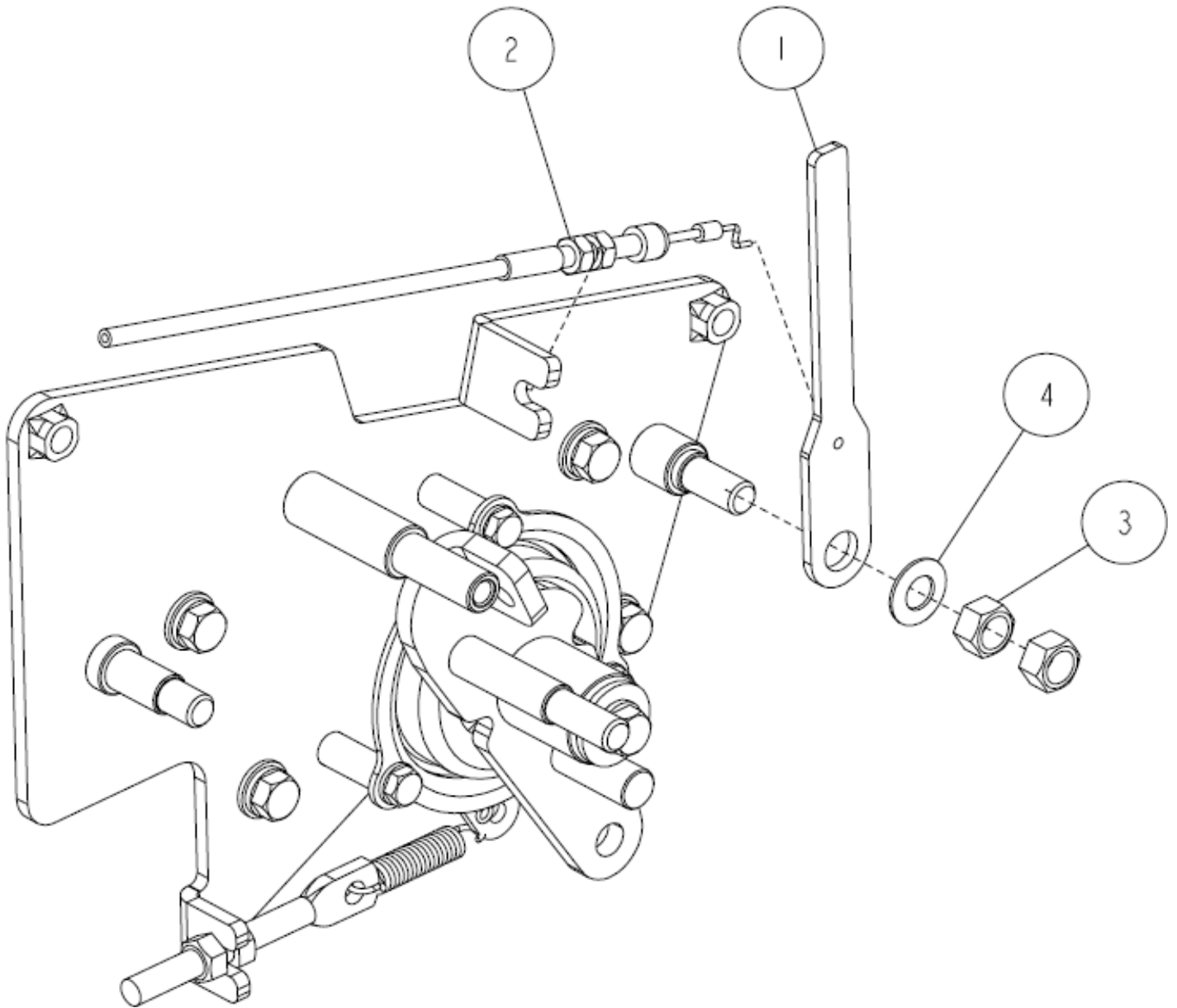
Ref.	Parts Number	Parts Name	Quantity	Remarks
1	0207-72600	Lever Grip 8 (black)	1	
2	0215-70600	Lever Grip (Red)	1	
3	0221-13200	Change Grip	1	
4	0244-15500	Change Lever (S) CMP	1	
5	89-1253-080252	Flange Mini Hexagonal Bolt (8T) M8*25	1	
6	89-1561-080002	Mini Hexagonal U Nut M8	1	



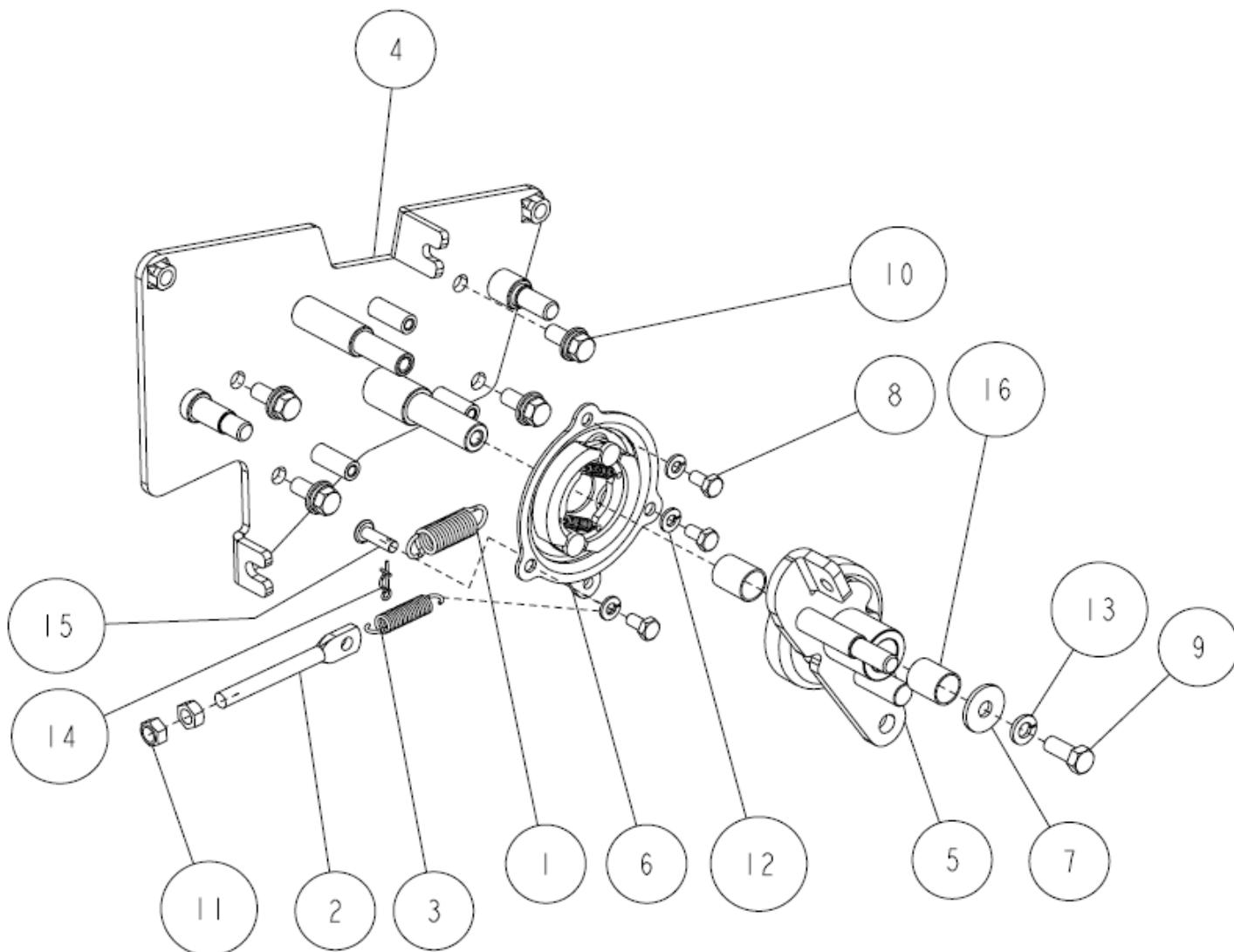
Ref.	Parts Number	Parts Name	Quantity	Remarks
1	0208-71800	Spring, Neutral	1	
2	0227-11200	Control Guide CMP	1	
3	0227-74300	Label, Defferential Lock (13271)	1	
4	0244-12300	Change Arm CMP	1	
5	0259-80400	Label, Change (13256)	1	
6	89-1233-080162	Mini Hexagonal Bolt (PWSW) M8*16	1	
7	89-1233-080202	Mini Hexagonal Bolt (PWSW) M8*20	2	



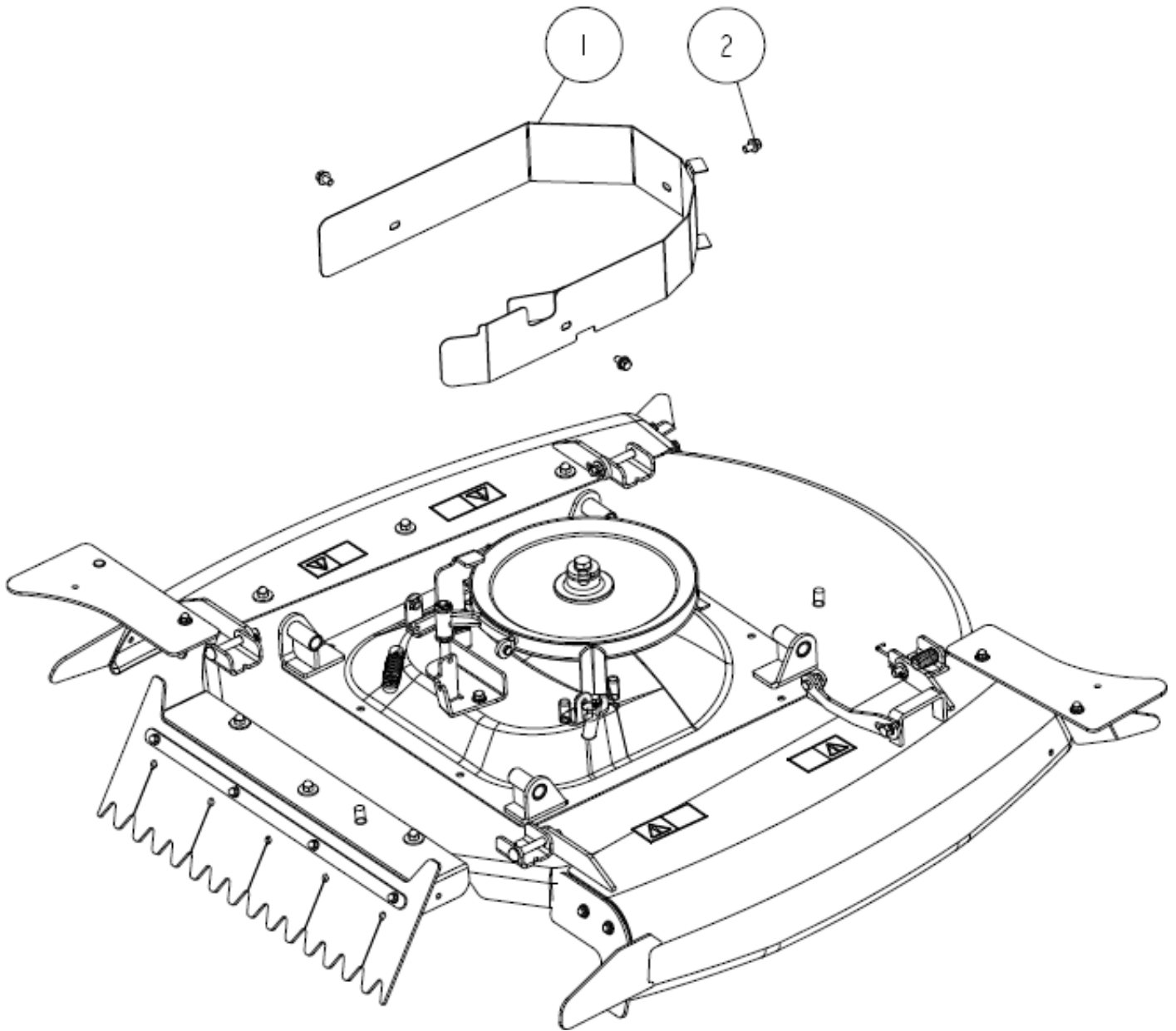
Ref.	Parts Number	Parts Name	Quantity	Remarks
1	80-1020-263-00	Control Lever Shaft Spring	1	
2	0227-11300	Differential Lock Lever CMP	1	
3	0244-72400	Differential Lock Wire	1	
4	89-1561-100002	Mini Hexagonal U Nut M10	1	
5	89-1712-100000	Flat Washer 10	1	
6	89-2132-060002	Snap Pin 6 (with stopper)	1	
7	89-2181-060202	Flat Head Pin 6*20	1	



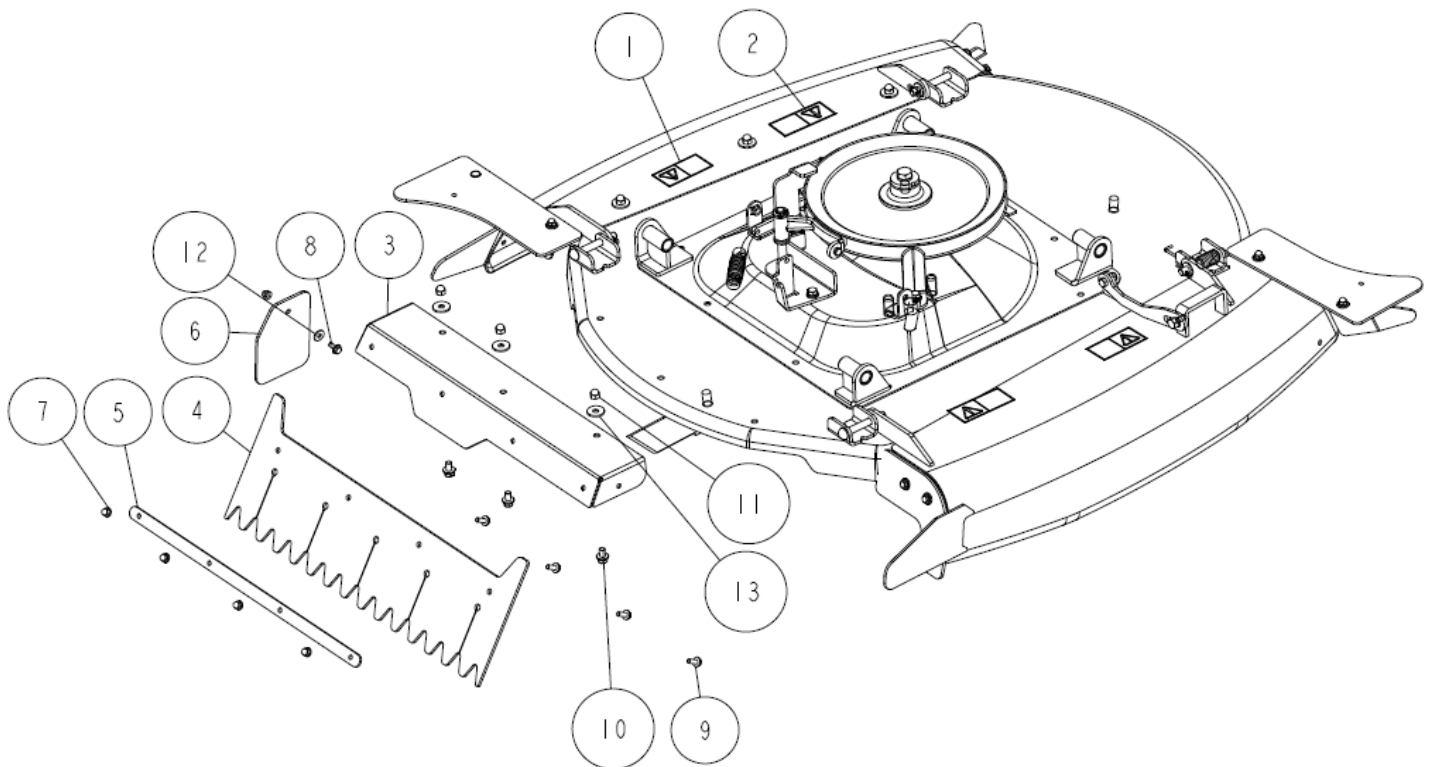
Ref.	Parts Number	Parts Name	Quantity	Remarks
1	0244-12500	Throttle Lever	1	
2	0244-72100	Throttle Wire (B)	1	
3	89-1611-100042	Mini Hexagonal Nut M10	2	
4	89-1852-100000	Belleville Spring H10	1	



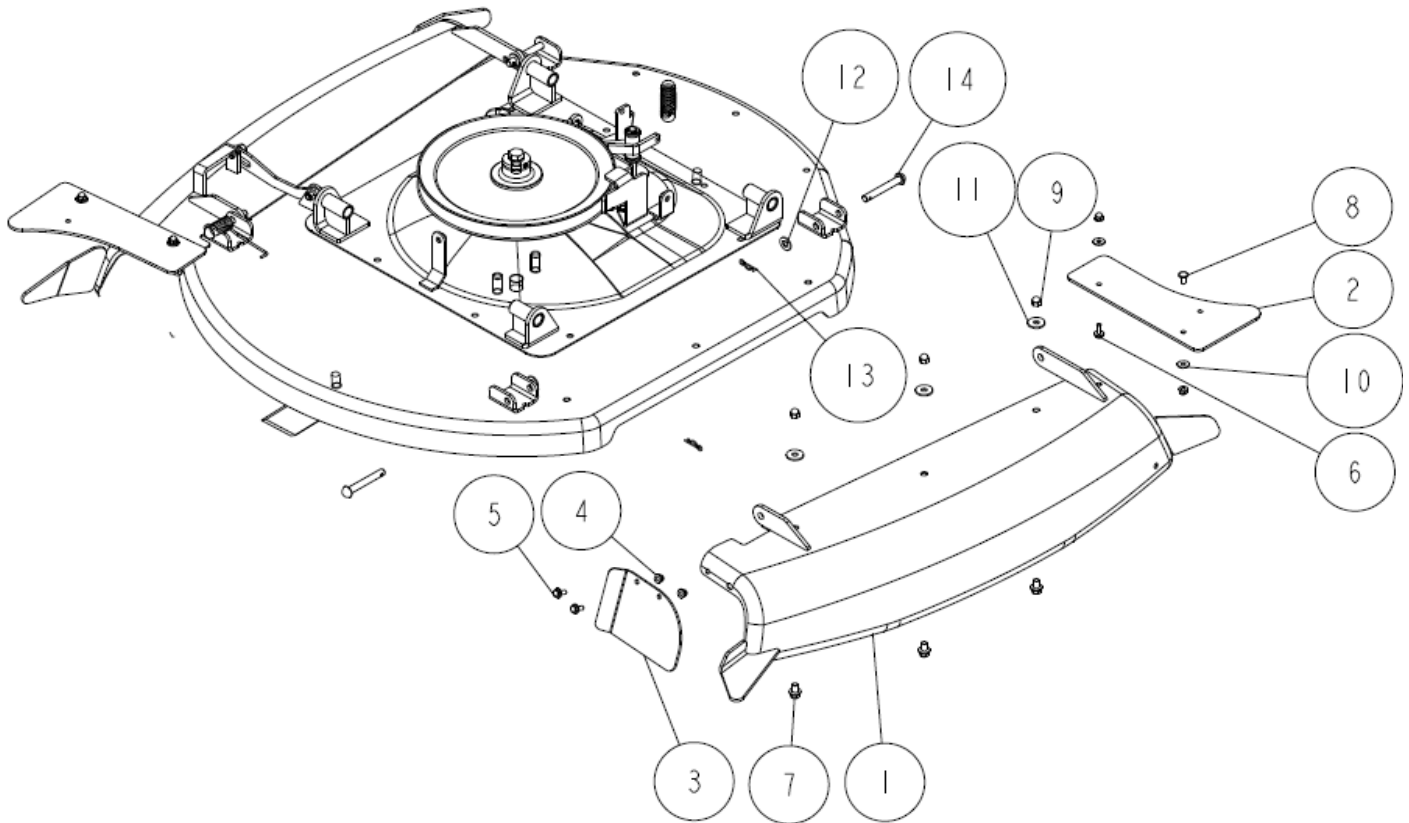
Ref.	Parts Number	Parts Name	Quantity	Remarks
1	80-1614-315-00	Return Spring	1	
2	0207-72300	Change Brake Adjuster	1	
3	0225-11800	Spring, Change Brake	1	
4	0227-11400	Change Bracket CMP	1	
5	0244-12200	Change Brake CMP	1	
6	0244-12800	Brake Assy	1	
7	83-1751-311-00	Flat Washer 8*25*2.3	1	
8	89-1113-060122	Hexagonal Bolt (8T) M6*12	3	
9	89-1211-080202	Mini Hexagonal Bolt M8*20	1	
10	89-1233-080202	Mini Hexagonal Bolt (PWSW) M8*20	4	
11	89-1611-080042	Mini Hexagonal Nut M8	2	
12	89-1750-060002	Spring Washer 6	3	
13	89-1750-080002	Spring Washer 8	1	
14	89-2132-060002	Snap Pin 6 (with stopper)	1	
15	89-2181-060202	Flat Head Pin 6*20	1	
16	89-3510-015200	DU Bush 15.20	2	



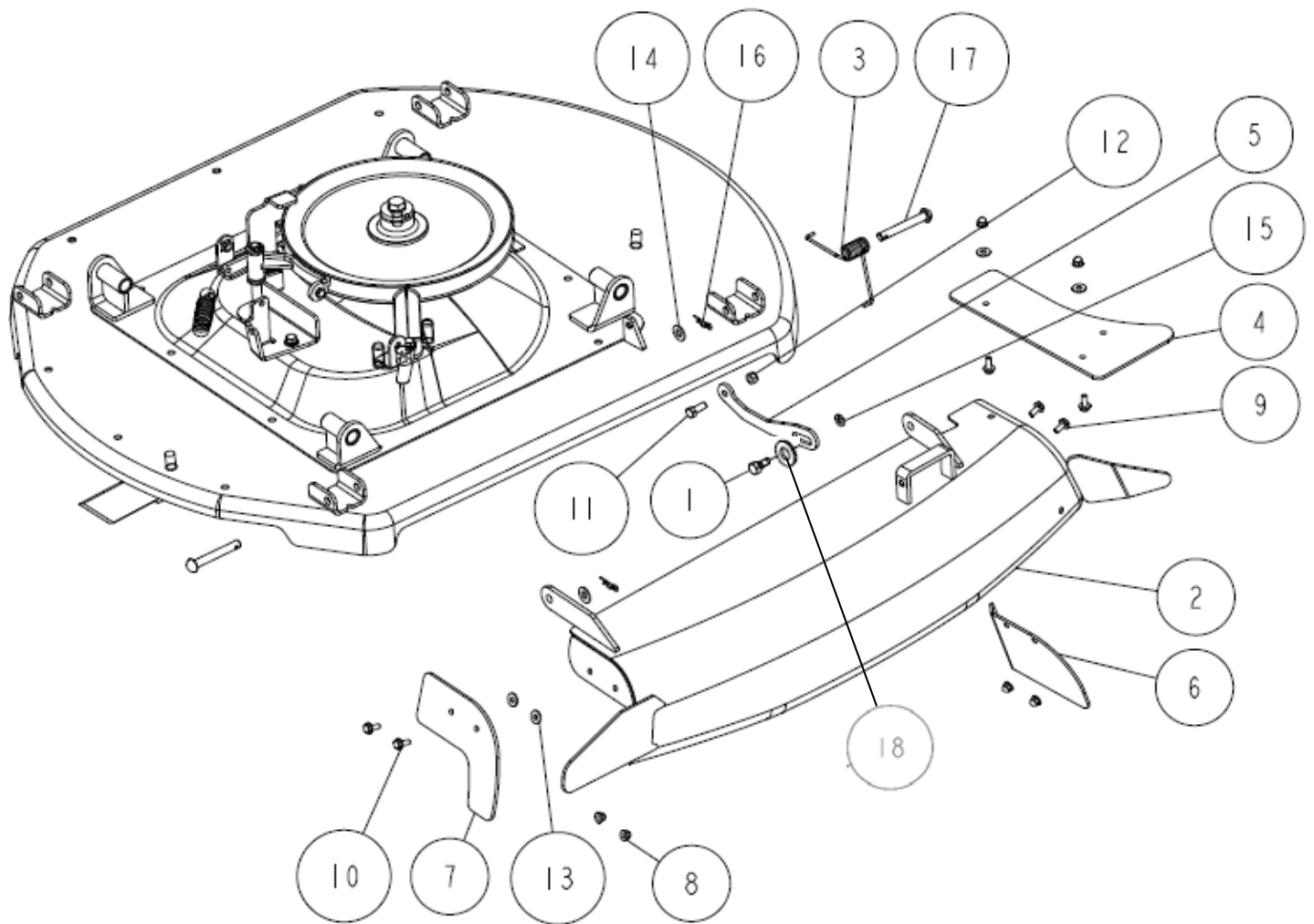
Ref.	Parts Number	Parts Name	Quantity	Remarks
1	0227-81300	Knife Belt Cover CMP (RM980F)	1	
2	89-1233-080162	Mini Hexagonal Bolt (PWSW) M8*16	3	



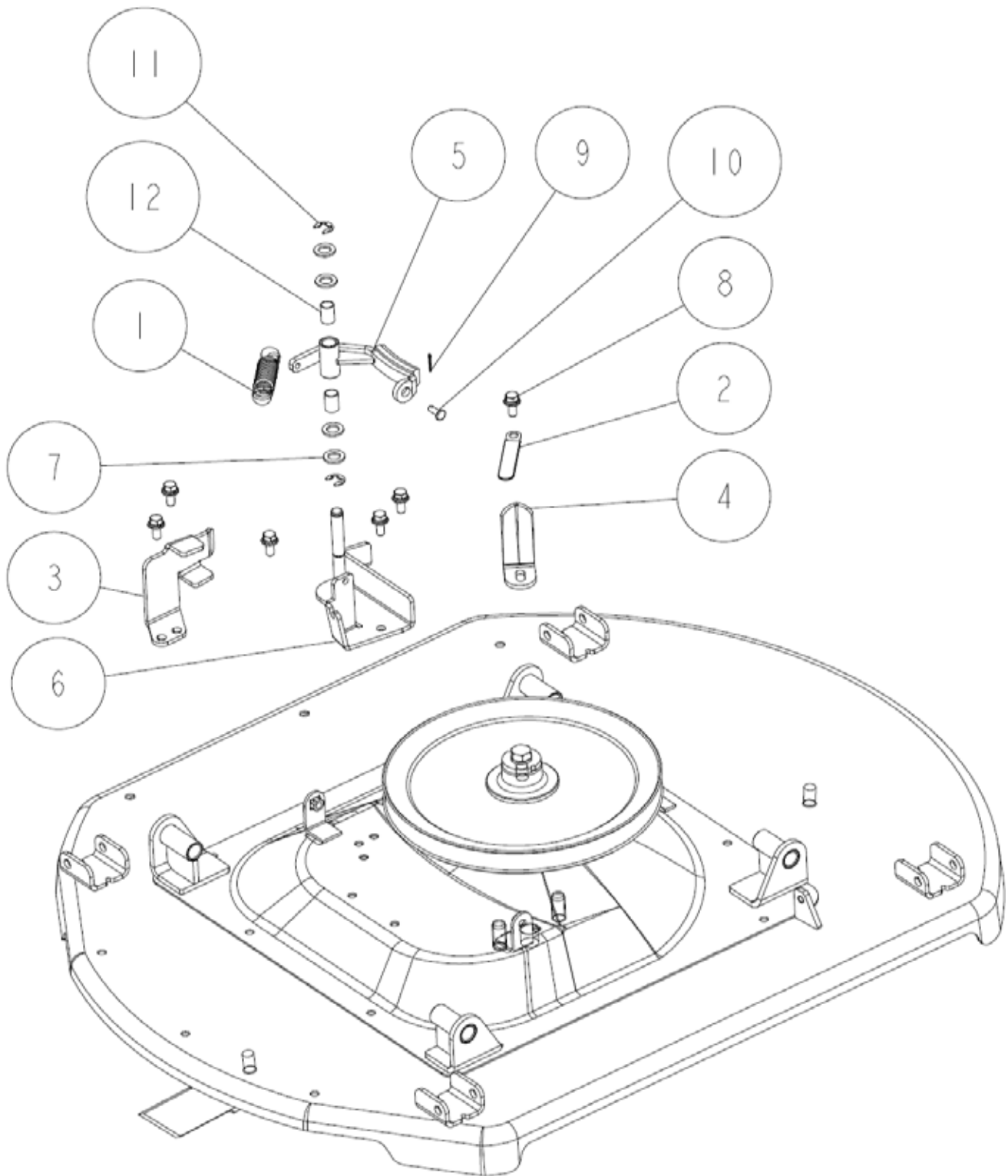
Ref.	Parts Number	Parts Name	Quantity	Remarks
1	80-1488-926-10	Label, Caution for Knife	2	
2	80-1488-928-10	Label, Caution for Belt Involving	2	
3	0244-61200	Rear Guard	1	
4	0244-61300	Rear Guard Flapper	1	
5	0244-61400	Rear Guard Flapper Holder	1	
6	0244-62600	Side Flapper (Rear)	1	
7	89-1581-060042	Flange Cap Nut M6	6	
8	89-1137-060152	Hexagonal Bolt (PW) M6*15	2	
9	89-1137-060172	Hexagonal Bolt (PW) M6*17	4	
10	89-1233-080162	Mini Hexagonal Bolt (PWSW) M8*16	3	
11	89-1671-080042	Mini Cap Nut M8	3	
12	89-1713-060002	Flat Washer 6 (large)	2	
13	89-1714-080002	Flat Washer 8	3	



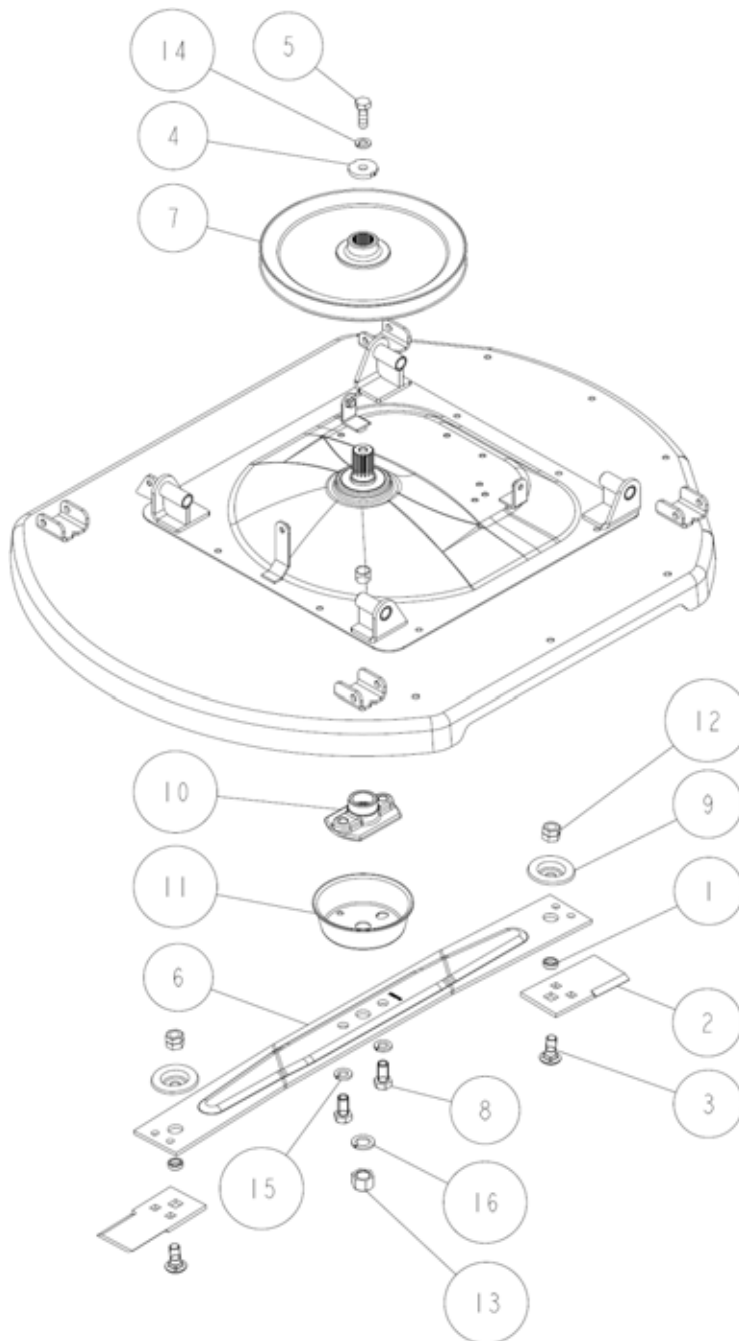
Ref.	Parts Number	Parts Name	Quantity	Remarks
1	0227-81600	Left Cover CMP (RM980F)	1	
2	0255-60300	Right Cover Flapper	1	
3	0259-53200	Foot Guard (Front Left)	1	
4	89-1581-060042	Flange Cap Nut M6	4	
5	89-1137-060152	Hexagonal Bolt (PW) M6*15	2	
6	89-1137-060172	Hexagonal Bolt (PW) M6*17	1	
7	89-1233-080162	Mini Hexagonal Bolt (PWSW) M8*16	3	
8	89-1390-060142	Welded Bolt M6*14	1	
9	89-1671-080042	Mini Cap Nut M8	3	
10	89-1713-060002	Flat Washer 6 (large)	2	
11	89-1714-080002	Flat Washer 8	3	
12	89-1714-100002	Flat Washer 10	2	
13	89-2131-100002	Snap Pin 10	2	
14	89-2191-100720	Round Head Pin 10*72	2	



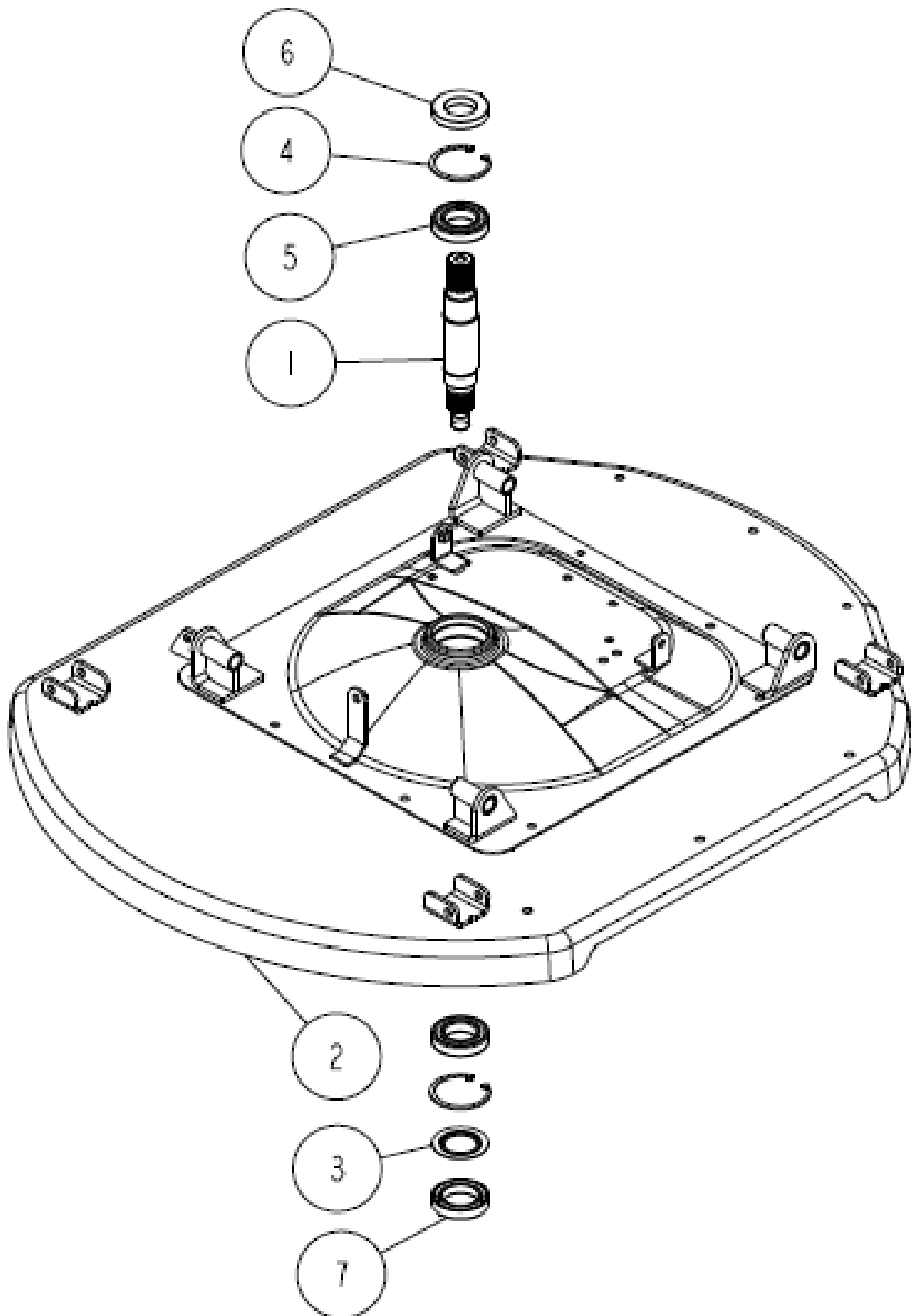
Ref.	Parts Number	Parts Name	Quantity	Remarks
1	80-1488-747-00	Bolt for Right Cover Up/Down Arm	1	
2	0227-81700	Right Cover CMP (RM980F)	1	
3	0244-71600	Spring for Right Cover	1	
4	0255-60300	Right Cover Flapper	1	
5	0259-51700	Right Cover Up/Down Arm	1	
6	0259-53100	Foot Guard (Front Right)	1	
7	0290-50200	Side Flapper (Back Right)	1	
8	89-1581-060042	Flange Cap Nut M6	6	
9	89-1137-060172	Hexagonal Bolt (PW) M6*17	4	
10	89-1137-060152	Hexagonal Bolt (PW) M6*15	2	
11	89-1253-080202	Flange Mini Hexagonal Bolt (8T) M8*20	1	
12	89-1561-080002	Mini Hexagonal U Nut M8	1	
13	89-1713-060002	Flat Washer 6 (large)	8	
14	89-1714-100002	Flat Washer 10	2	
15	89-1750-080002	Spring Washer 8	1	
16	89-2131-100002	Snap Pin 10	2	
17	89-2191-100720	Round Head Pin 10*72	2	
18	89-1711-100002	Flat Washer 10*18*1.6	1	



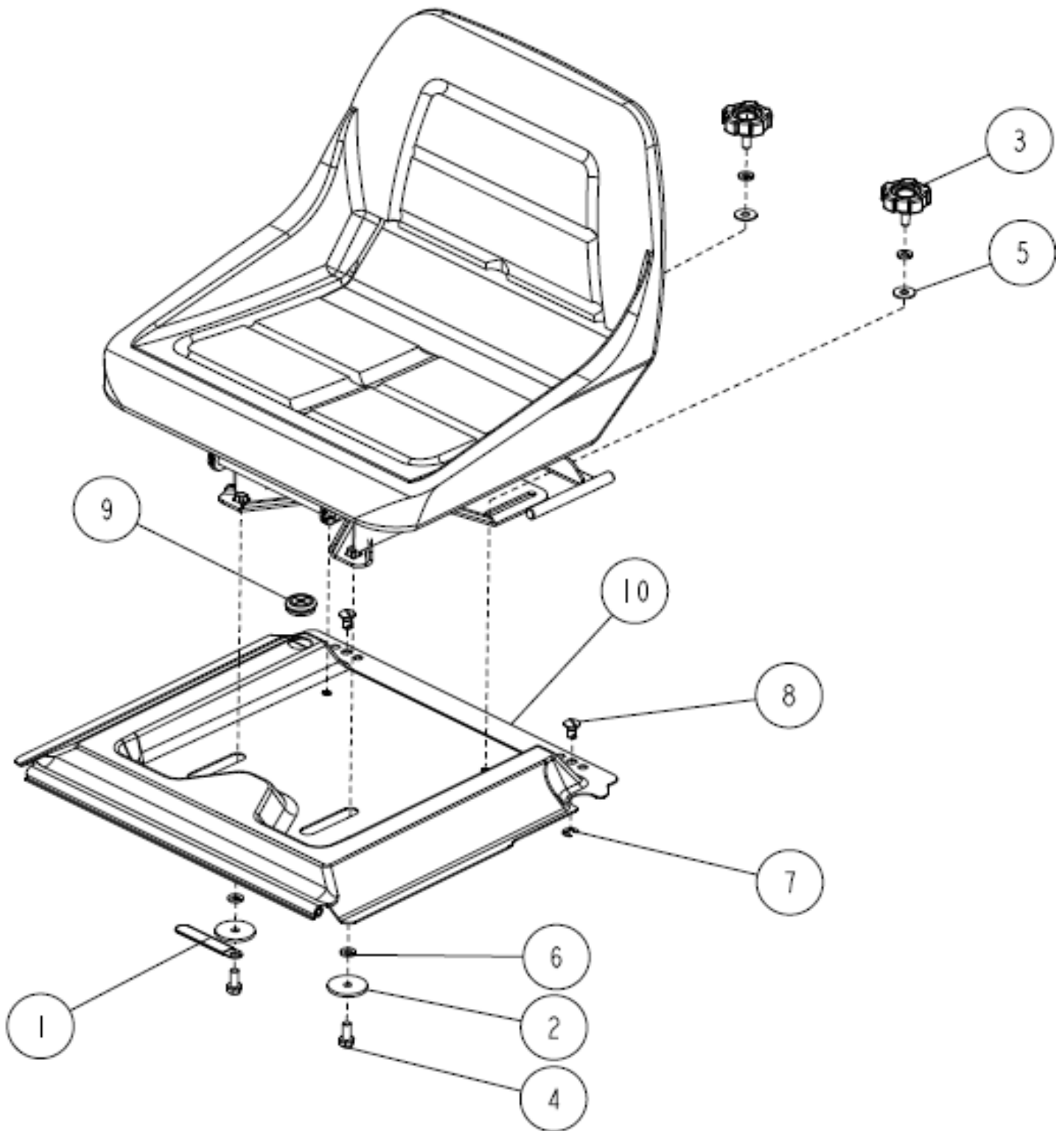
Ref.	Parts Number	Parts Name	Quantity	Remarks
1	80-1485-551-00	Driving Tension Spring	1	
2	80-1792-988-00	Harness Clip 8	1	
3	0244-42400	Knife Pulley Belt Holder (L)	1	
4	0244-42600	Knife Pulley Belt Holder	1	
5	0244-50600	Knife Brake	1	
6	0244-50710	Knife Brake Bracket CMP	1	
7	83-1565-329-00	Washer 13*22*2.3	4	
8	89-1233-080202	Mini Hexagonal Bolt (PWSW) M8*20	6	
9	89-2120-200152	Split Pin 2*15	1	
10	89-2181-060162	Flat Head Pin 6*16	1	
11	89-2521-000100	E Type Ring 10	2	
12	89-3510-012200	DU Bush 12.20	2	



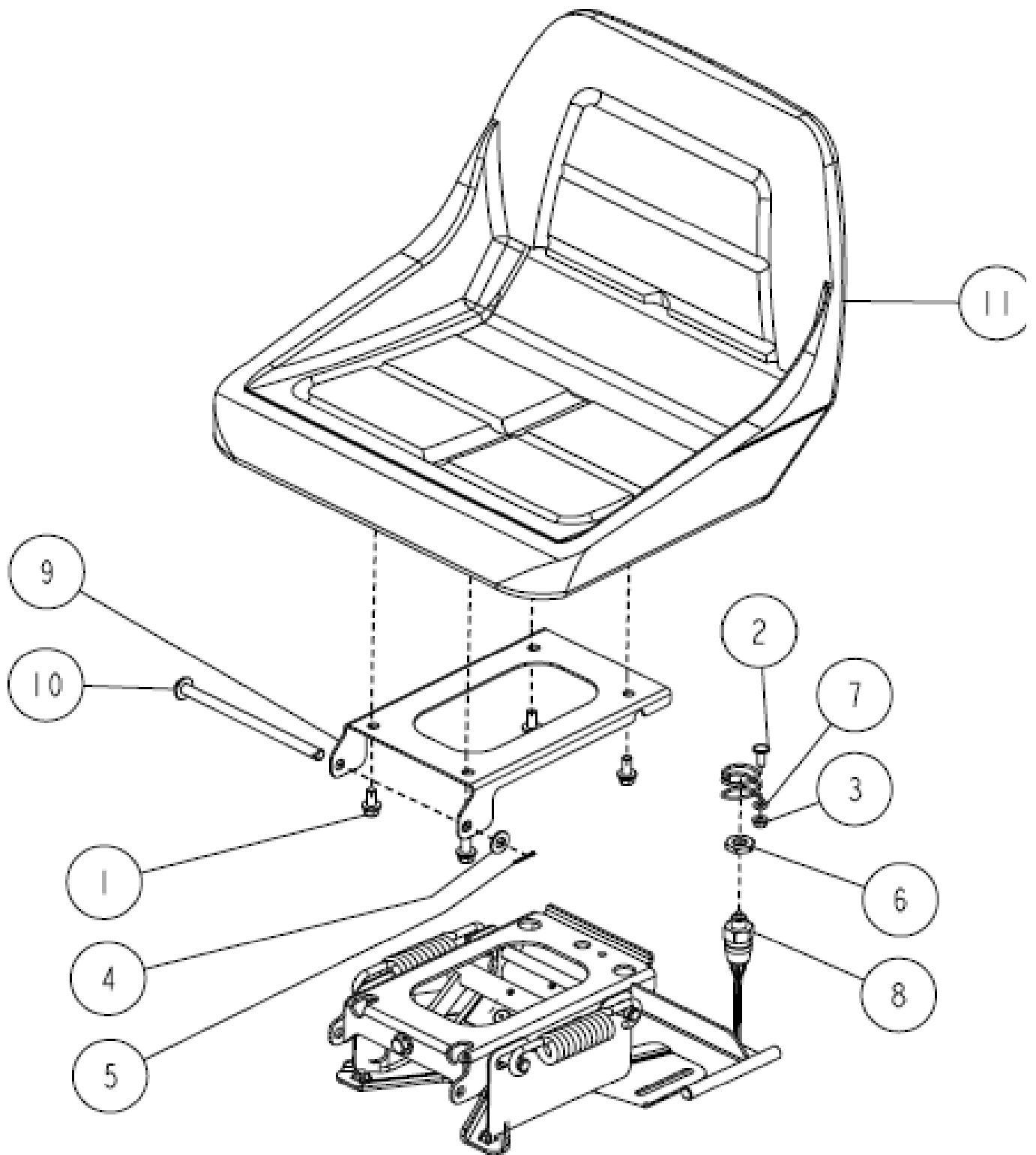
Ref.	Parts Number	Parts Name	Quantity	Remarks
1	80-1483-818-00	Knife Collar	2	
2	80-1483-821-00	Knife	2	
3	0207-50200	Knife Setting Bolt M14*34	2	
4	0221-76100	Washer 12*40*6	1	
5	0221-76200	Mini Hexagonal Bolt (8T) M12*35	1	
6	0244-51200	Knife Stay (R817B)	1	
7	0244-51500	Knife Pulley CMP	1	
8	0244-51600	Mini Hexagonal Bolt (8T) M14*30 (Knife Stay)	2	
9	0244-51800	Nut Guard 14	2	
10	0244-51900	Knife Bracket	1	
11	0244-52100	Knife Neck Guard	1	
12	0244-74600	Hard Lock Nut M14	2	
13	83-1483-175-00	Bag Nut M20 (Lock)	1	
14	89-1750-120002	Spring Washer 12	1	
15	89-1750-140002	Spring Washer 14	2	
16	89-1750-200002	Spring Washer 20	1	
3,9,12	0244-78210	Knife Setting Bolt Set M14	(2)	No.3 / 2pcs including
1,2,3,9,12	0244-78010	Knife & Blade Bolt Set RM85	(1)	No.3 / 4pcs including



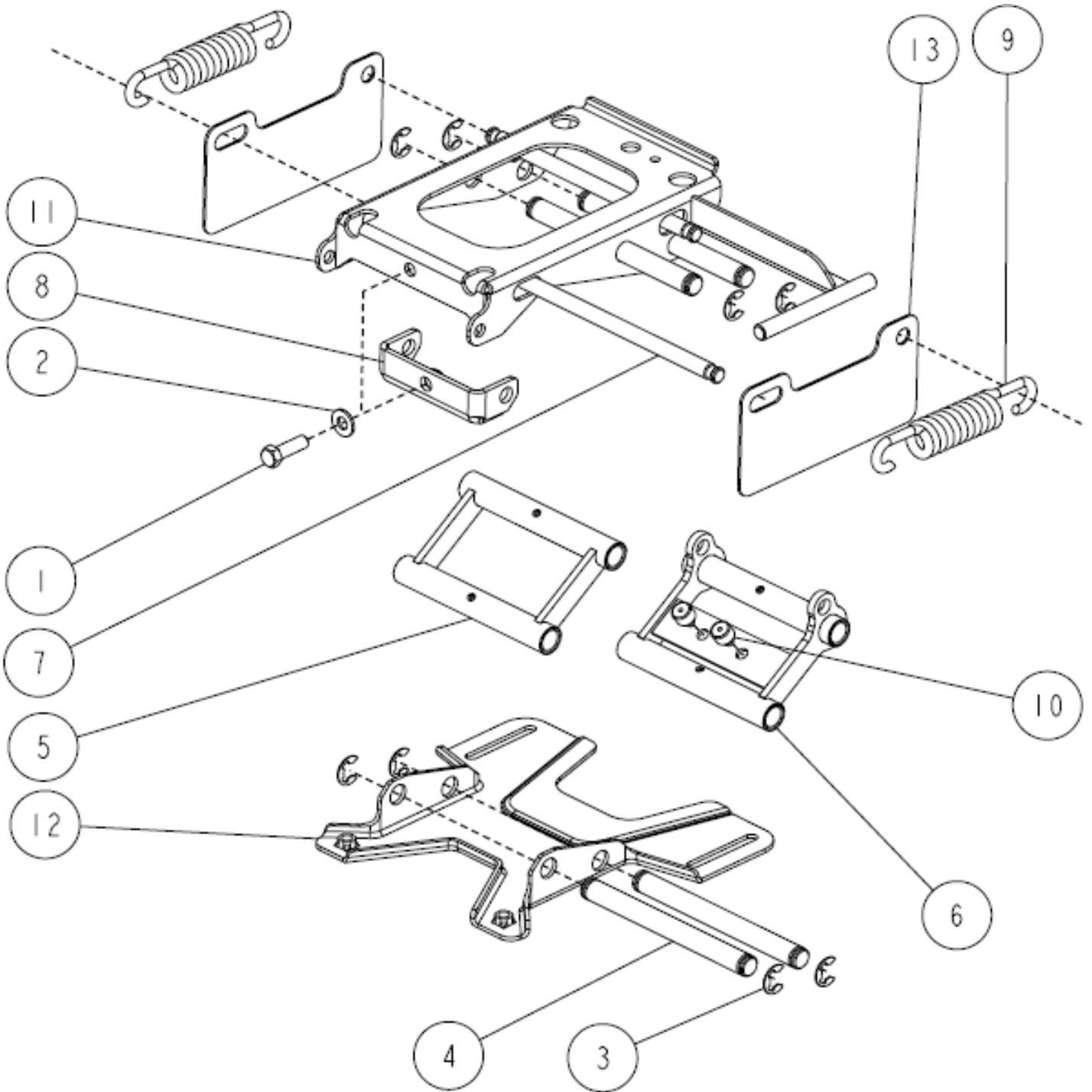
Ref.	Parts Number	Parts Name	Quantity	Remarks
1	80-1493-641-00	Vertical Shaft	1	
2	0227-50300	Safety Cover CMP	1	
3	0262-50100	Dust Plate	1	
4	89-2512-000620	Snap Ring (R62)	2	
5	89-3115-060074	Bearing 6007 2RS	2	
6	89-5121-356210	Oil Seal UE 35.62.10	1	
7	89-5121-406212	Oil Seal UE 40.62.12	1	



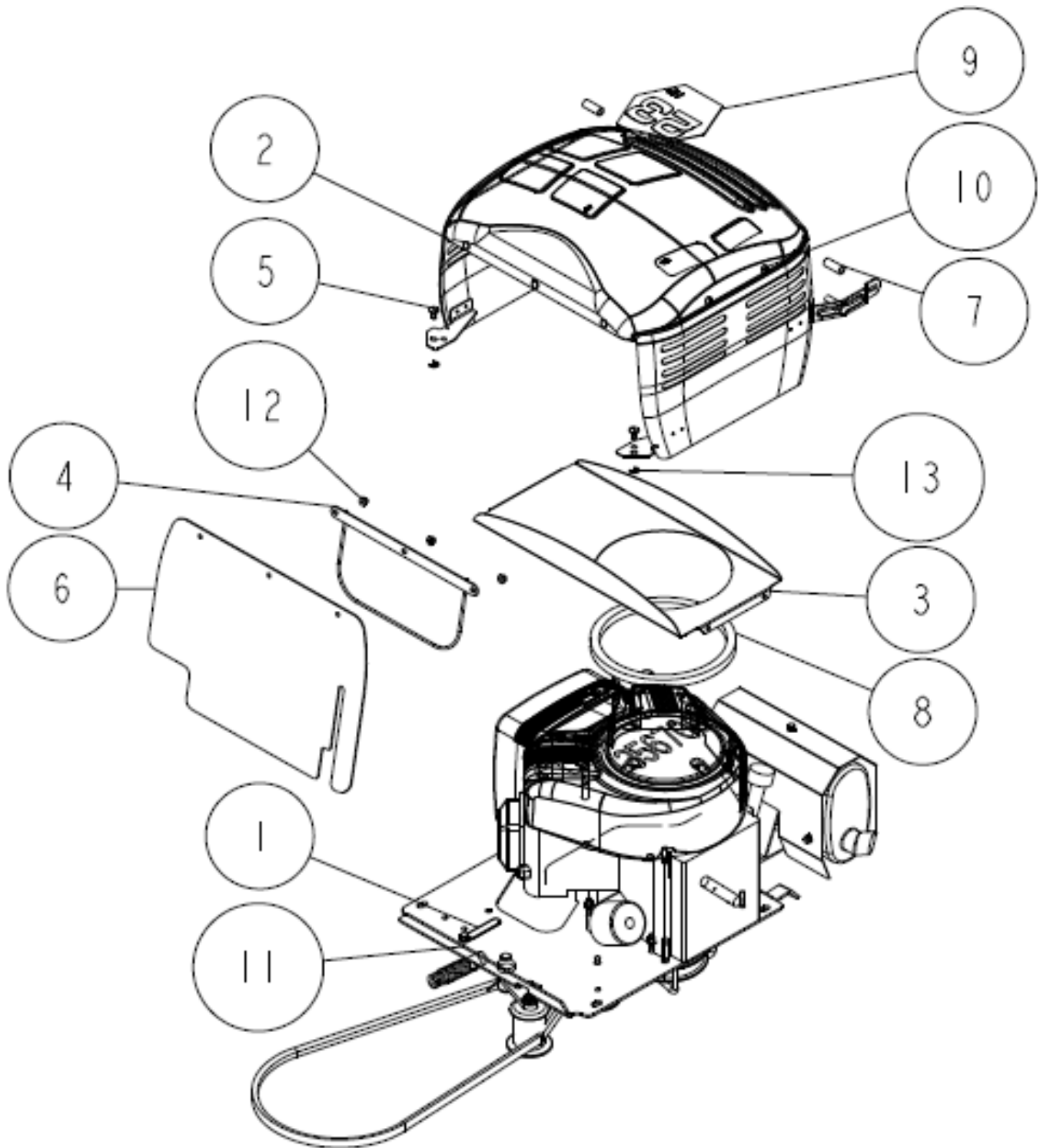
Ref.	Parts Number	Parts Name	Quantity	Remarks
1	80-1792-988-00	Harness Clip 8	1	
2	83-1020-314-00	Washer 8*40*2.3	2	
3	83-1560-101-00	Knob Bolt M8*15	2	
4	89-1232-080202	Mini Hexagonal Bolt (SW) M8*20	2	
5	89-1713-080002	Flat Washer 8 (large)	2	
6	89-1750-080002	Spring Washer 8	4	
7	89-2521-000083	E Type Ring 8	2	
8	0244-71300	Sine Fastener T9-170	2	
9	0244-73700	Grommet 24	1	
10	0259-22110	Seat Bracket CMP	1	



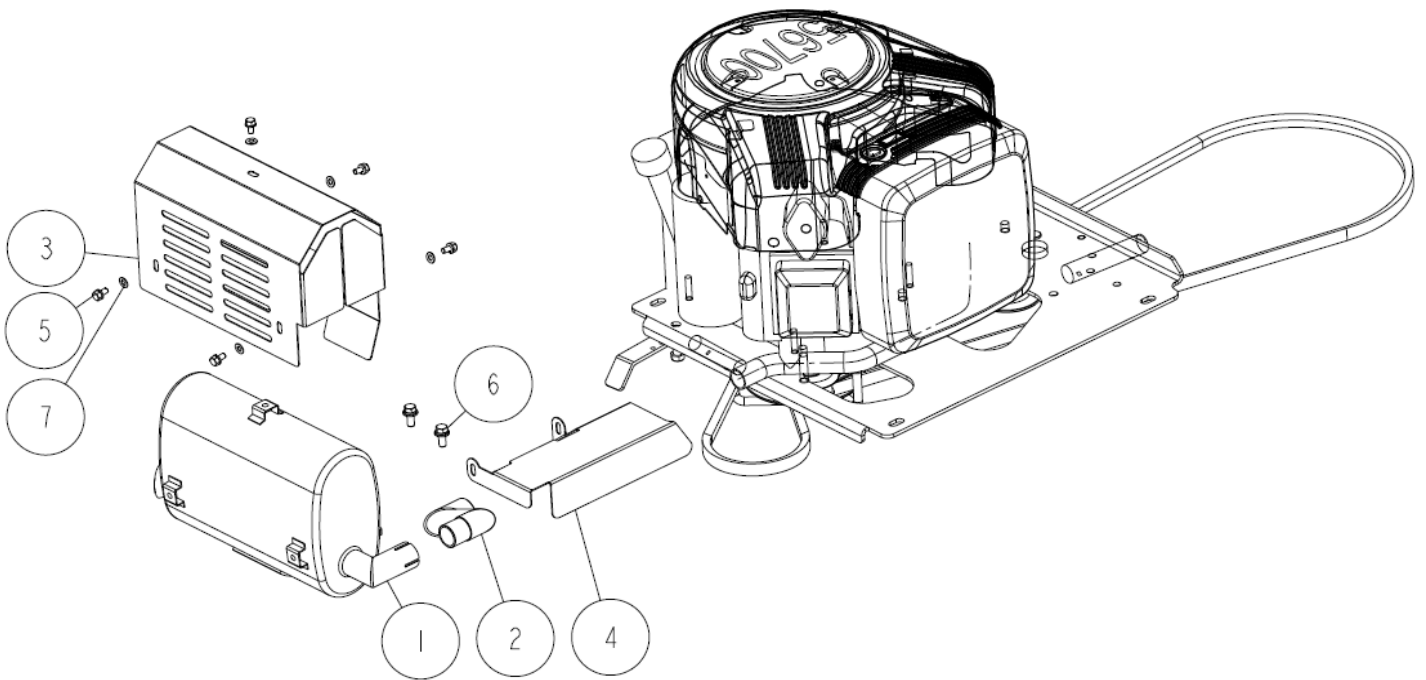
Ref.	Parts Number	Parts Name	Quantity	Remarks
1	89-1233-080202	Mini Hexagonal Bolt (PWSW) M8*20	4	
2	89-1390-060162	Welded Bolt M6*16	1	
3	89-1531-060042	Flange Nut M6	1	
4	89-1714-100002	Flat Washer 10	1	
5	89-2120-200202	Split Pin 2*20	1	
6	0207-72800	Switch Lock Nut	1	
7	0207-72900	Seat Switch Spring	1	
8	0207-74400	Safety Switch K17850	1	
9	0244-21810	Seat Receiver (97EU)	1	
10	0244-22300	Seat Receive Pin CMP	1	
11	0284-78100	Seat K4 (Black)	1	



Ref.	Parts Number	Parts Name	Quantity	Remarks
1	89-1211-100302	Mini Hexagonal Bolt M10*30	1	
2	89-1714-100002	Flat Washer 10	1	
3	89-2521-000120	E Type Ring 12	8	
4	0244-21100	Seat Link Pin	4	
5	0244-21400	Seat Link (A) CMP	1	
6	0244-21500	Seat Link (B) CMP	1	
7	0244-21600	Spring Shaft	2	
8	0244-21700	Spring Shaft Hook CMP	1	
9	0244-71200	Spring for Seat Link	2	
10	0244-71400	Seat Cushion Rubber	2	
11	0259-21210	Link Upper CMP (98E)	1	
12	0262-20400	Link Under Bracket	1	
13	0292-80300	Seat Link Shield	2	

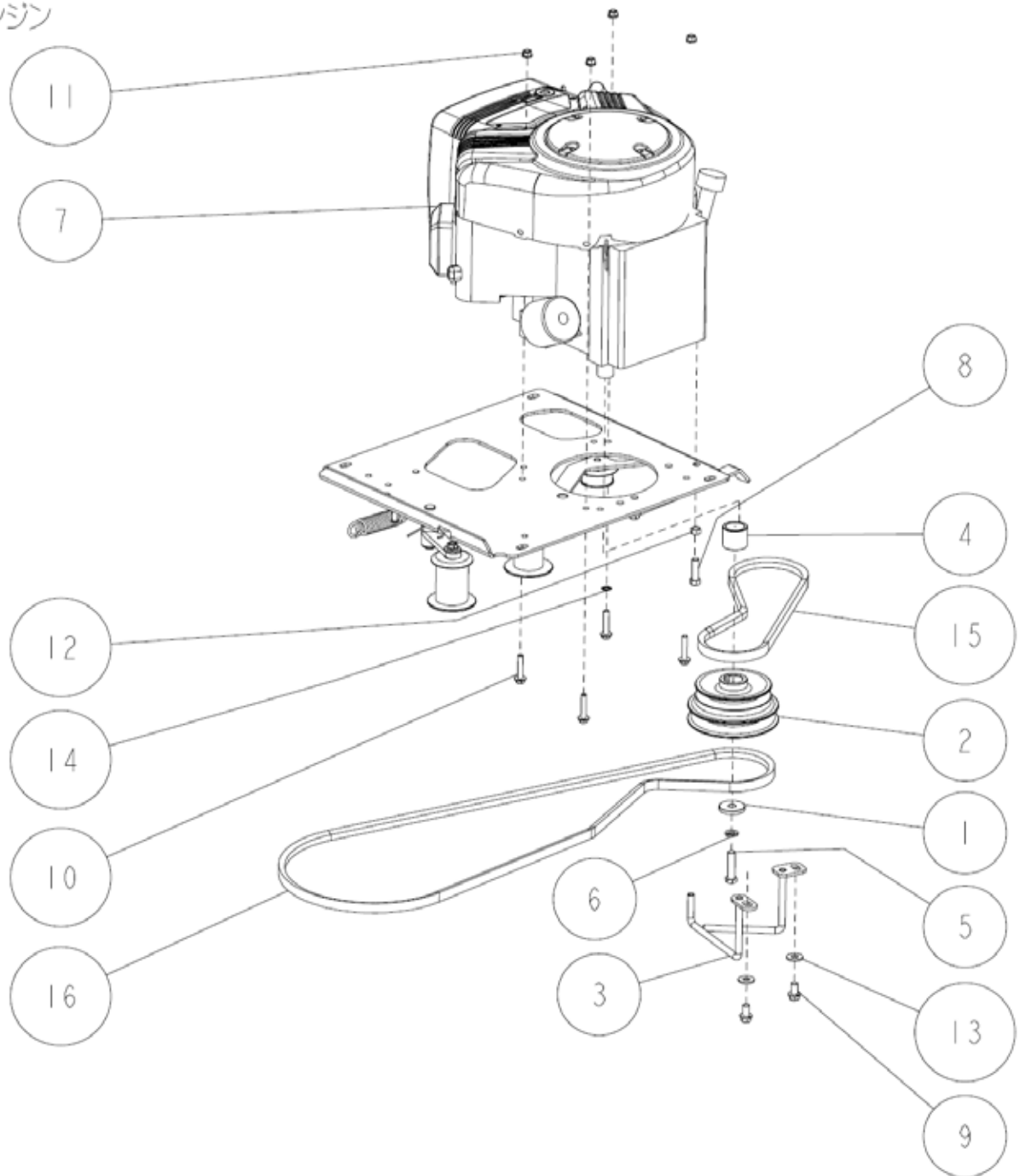


Ref.	Parts Number	Parts Name	Quantity	Remarks
1	80-1792-988-00	Harness Clip 8	1	
2	0227-61100	Engine Bonnet (RM980F)	1	
3	0244-60500	Duct CMP	1	
4	0244-62510	Wind Shield Holder CMP	1	
5	0244-71300	Sine Fastener T9-170	2	
6	0244-72800	Wind Shield	1	
7	0244-76500	Rubber Tube 10-14	2	
8	0244-77700	Air intake Packing	1	
9	0244-80500	Label, Engine 23HP	1	
10	89-1159-060108	Truss Mini Screw M6*10	4	
11	89-1233-080162	Mini Hexagonal Bolt (PWSW) M8*16	1	
12	89-1581-060042	Flange Cap Nut M6	3	
13	89-2521-000083	E Type Ring 8	2	

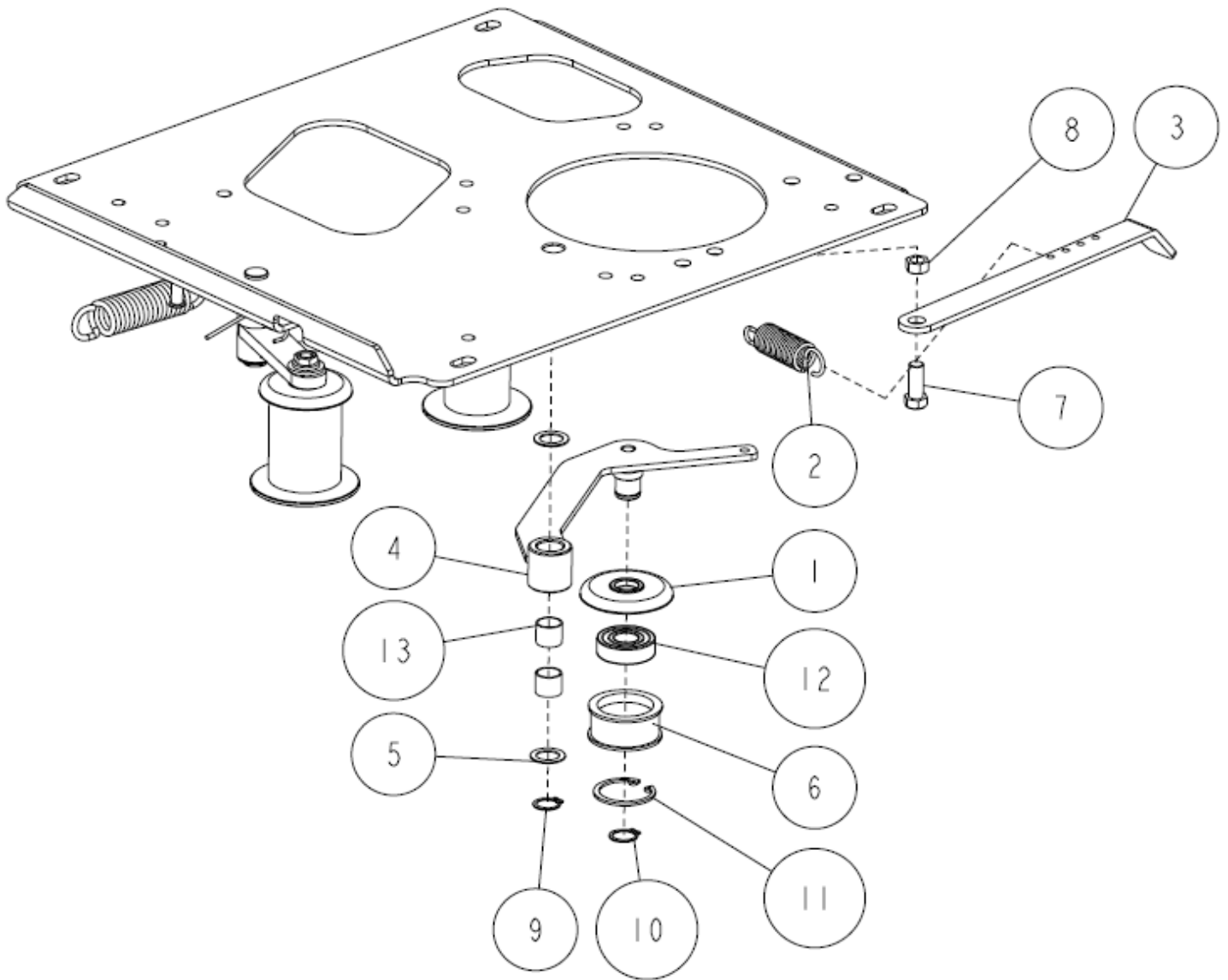


Ref.	Parts Number	Parts Name	Quantity	Remarks
1	0244-40400	Muffler	1	
2	0244-40500	Exhaust Adapter B	1	
3	0244-40800	Muffler Cover	1	
4	0244-43100	Exhaust Cover B	1	
5	89-1132-060122	Hexagonal Bolt (SW) M6*12	5	
6	89-1233-080202	Mini Hexagonal Bolt (PWSW) M8*20	2	
7	89-1711-060002	Flat Washer 6	5	

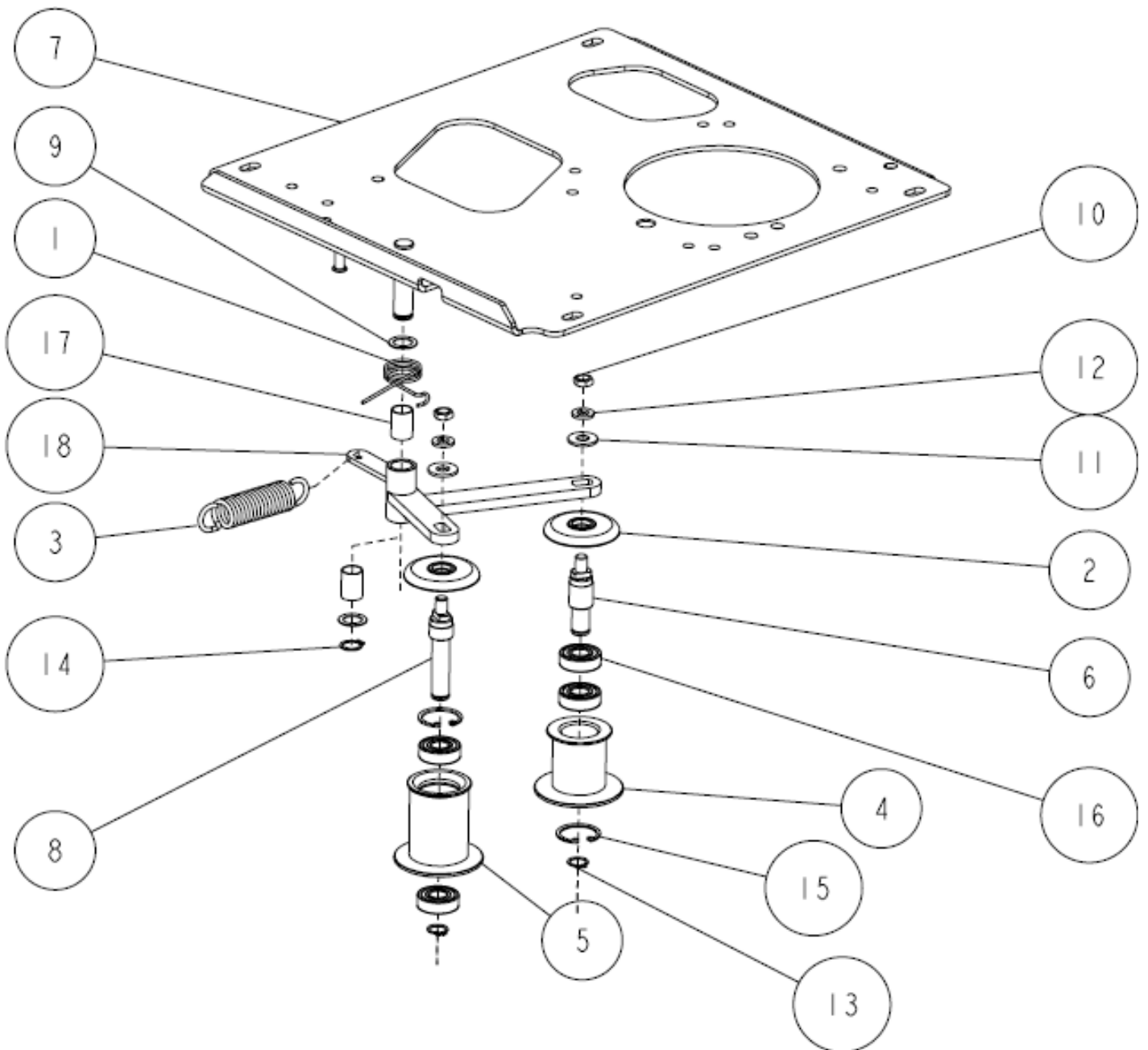
B&Sエンジン



Ref.	Parts Number	Parts Name	Quantity	Remarks
1	80-1487-516-00	Washer 11*40*6	1	
2	0227-40500	Engine Pulley	1	
3	0227-40700	Belt Holder CMP	1	
4	0244-41100	Engine Collar	1	
5	83-1482-115-00	Hexagonal Bolt(8T) UNF7/16-20*45	1	
6	83-1493-300-00	Spring Washer 7/16	1	
7	-	Engine BRIGGS 386777-0133-B1	1	
8	89-1211-100352	Mini Hexagonal Bolt M10*35	1	
9	89-1232-100202	Mini Hexagonal Bolt (SW) M10*20	2	
10	89-1253-080402	Flange Mini Hexagonal Bolt (8T) M8*40	4	
11	89-1543-080002	Mini Hexagonal Nut (SW) M8	4	
12	89-1611-100042	Mini Hexagonal Nut M10	1	
13	89-1713-100002	Flat Washer 10 (large)	2	
14	89-1812-080002	Toothed washer (inside) 8	1	
15	89-6123-003403	V Belt LB-34 (SG1000)	1	
16	89-6123-007803	V Belt LB-78 (SG1000)	1	



Ref.	Parts Number	Parts Name	Quantity	Remarks
1	80-1482-549-00	Rubber Cover 58	1	
2	80-1485-551-00	Driving Tension Spring	1	
3	0207-41100	Drive Tension Spring Arm	1	
4	0227-40600	Drive Tension Arm CMP	1	
5	83-1020-363-00	Thrust Washer 16*24*1.0	2	
6	83-1032-765-00	Tension Pulley	1	
7	89-1211-100252	Mini Hexagonal Bolt M10*25	1	
8	89-1611-100042	Mini Hexagonal Nut M10	1	
9	89-2511-000160	Snap Ring (S16)	1	
10	89-2511-000170	Snap Ring (S17)	1	
11	89-2512-000400	Snap Ring (R40)	1	
12	89-3115-062034	Bearing 6203 2RS	1	
13	89-3510-016150	DU Bush 16.15	2	



Ref.	Parts Number	Parts Name	Quantity	Remarks
1	80-1481-568-00	Knife Tension Return Spring $\phi 26.7$	1	
2	80-1482-549-00	Rubber Cover 58	2	
3	0207-78400	Spring For Knife Tension Return	1	
4	0227-40200	Knife Tension Pulley	1	
5	0227-40300	Knife Tension Pulley (A)	1	
6	0227-40400	Knife Tension Pulley Axle	1	
7	0244-20300	Engine Base CMP	1	
8	0244-42800	Tension Idler Shaft	1	
9	83-1020-363-00	Thrust Washer 16*24*1.0	2	
10	89-1613-100042	Mini Hexagonal Nut (3 sorts) M10	2	
11	89-1713-100002	Flat Washer 10 (large)	2	
12	89-1750-100002	Spring Washer 10	2	
13	89-2511-000150	Snap Ring (S15)	2	
14	89-2511-000160	Snap Ring (S16)	1	
15	89-2512-000350	Snap Ring (R35)	2	
16	89-3115-062024	Bearing 6202 2RS	4	
17	89-3510-016250	DU Bush 16.25	2	
18	0227-40100	Knife Tension Arm CMP	1	